

# 4IFE-ABT1312-5GF

## High Gain Outdoor TV Aerial with 5G Filter

### Technical data:

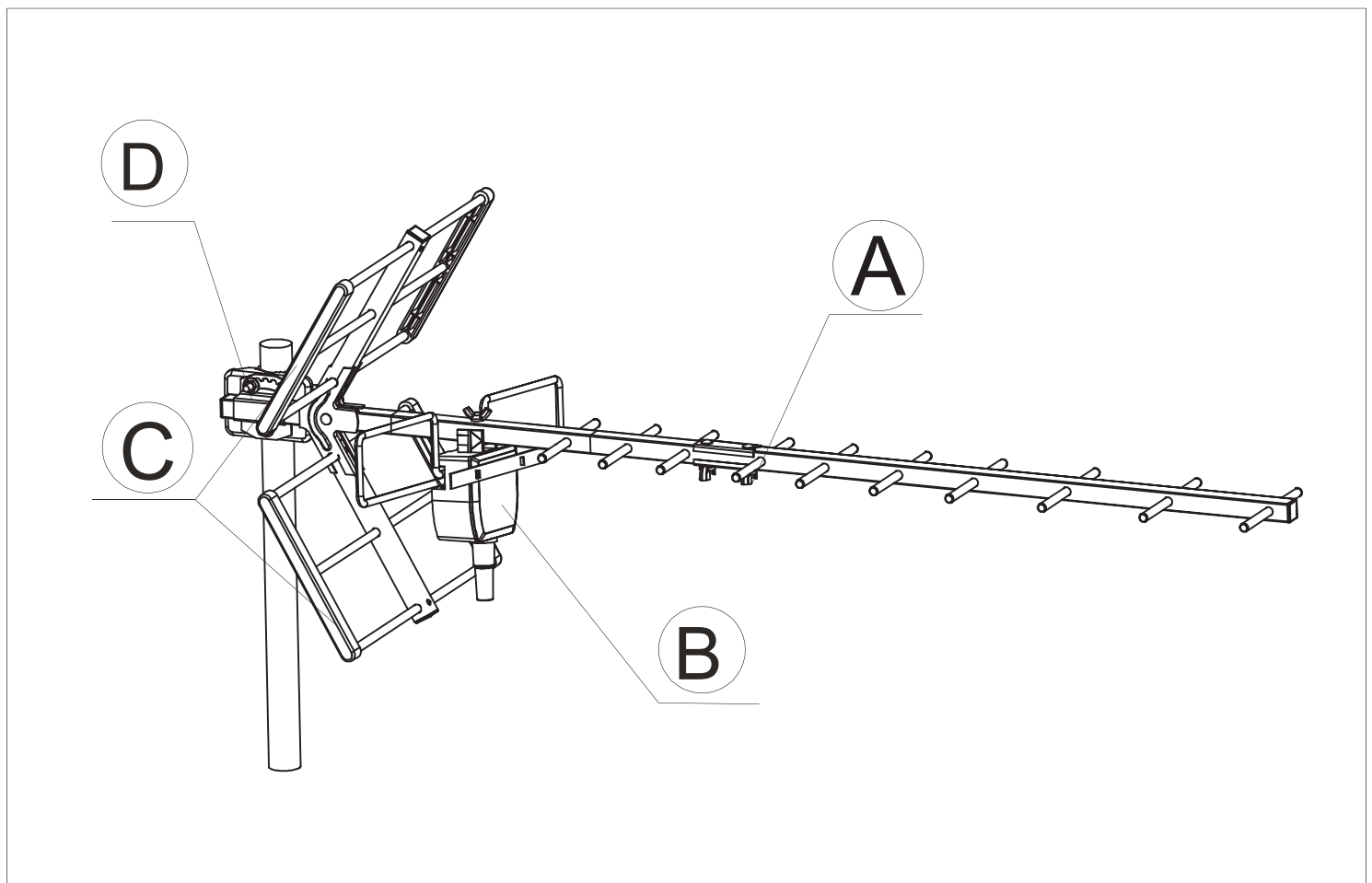
Frequency Range	Channels	Impedance	No. of Elements	Aerial Gain	Front-back Ratio	Beam Width H/V	Aerial Length
470~700 MHz	21-48	75Ω	12	11-13dB	15-20dB	H34°/V28°	1050mm

**CAUTION:** When mounting the assembled aerial, always observe safety precautions and use the correct equipment. Unless you are competent in the use of ladders and other access equipment, do not work outdoors at roof height. If in any doubt, refer to a qualified aerial installer.

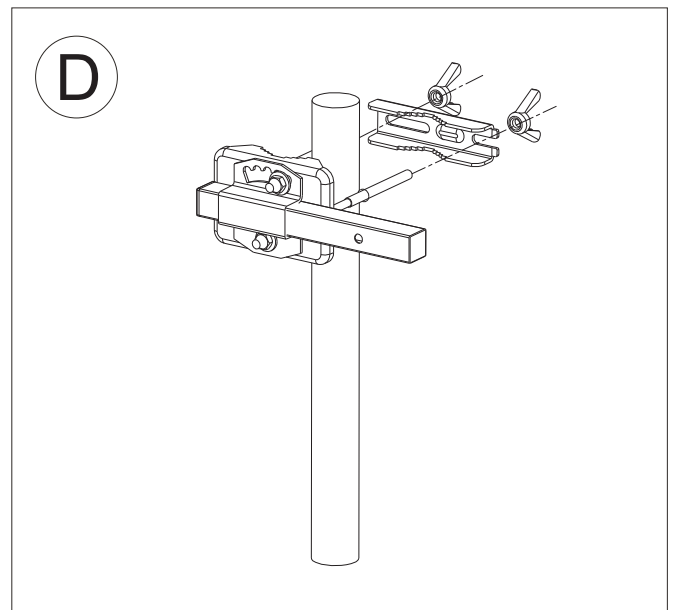
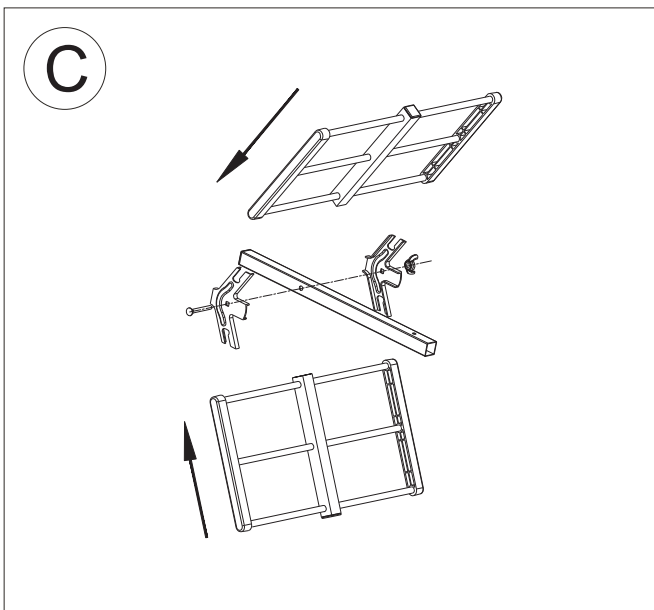
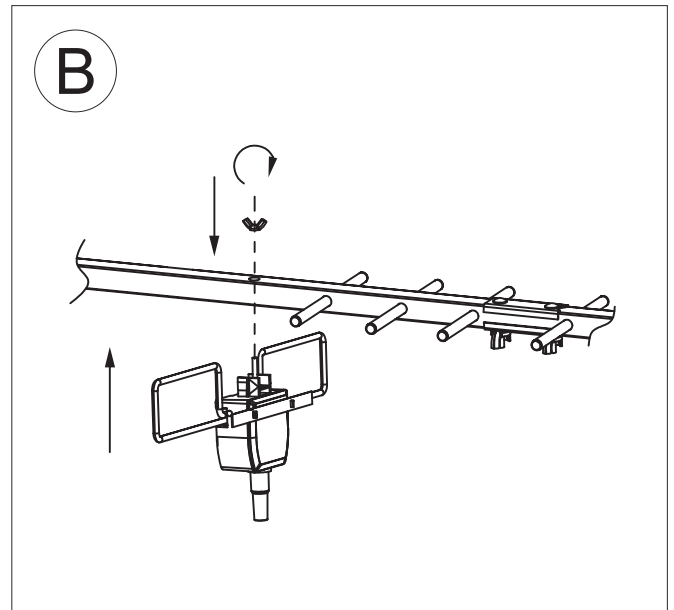
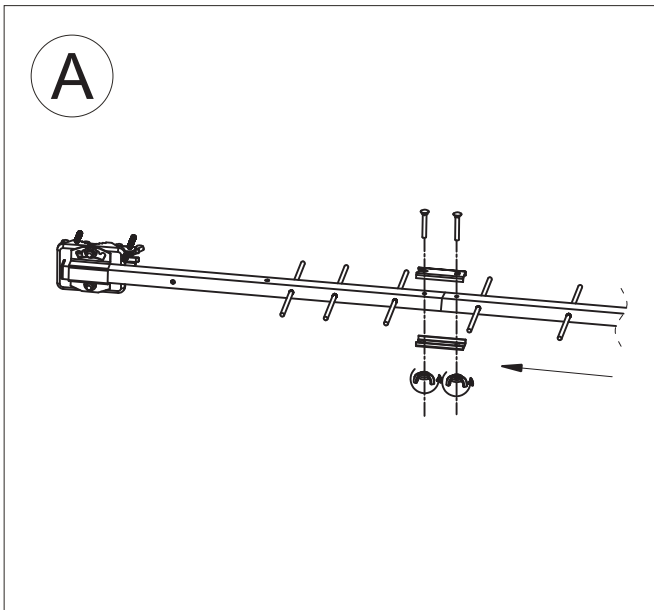
For optimum results install the aerial using double screened digital coax cable and screened coax outlets. You will need to fit the coax cable with the F type connector to connect to the downlead (not supplied) to the F socket on the aerial.

For best results the aerial should be mounted on an outdoor aerial mast and pointed in the direction of the nearest transmitter making sure it is in a position where the transmitter signal will not be obstructed by nearby trees and buildings. If you are in any doubt about the direction in which the aerial should be pointing or the orientation of the aerial (horizontal for main transmitter, vertical for relay transmitter) check your neighbours' aerials. This aerial requires some assembly. If mounting on an existing mast check that the mast is in good condition and firmly fixed.

### Aerial Connection:



# Aerial Connection:



## Troubleshooting

### No picture?

- Check all connections from aerial to TV.

### Poor picture?

- Check all connections from aerial to TV.
- Check aerial is properly aligned to the correct transmitter.
- If the aerial is mounted in a loft, try mounting outside.
- Make sure new digital coax cable has been used throughout the installation.
- Check the transmitter signal is not obstructed by nearby trees or buildings.
- If in a very weak signal area or for long cable runs, installing a masthead amplifier will improve the signal.
- If in a strong signal area, the signal strength may need to be reduced by fitting an attenuator.

For further information, please email [help@ic.plus](mailto:help@ic.plus)

©Copyright by IC Plus, all rights reserved.  
4ife is a registered trademark of IC Plus.  
IC Plus is a leading multi-brand distributor  
and supporting jobs in Ireland. Pictures  
and images used are for illustrative  
purposes only and may not be indicative  
of the product. Please refer to the product  
PDF on [www.ic.plus](http://www.ic.plus) of the part number  
listed on this box.

