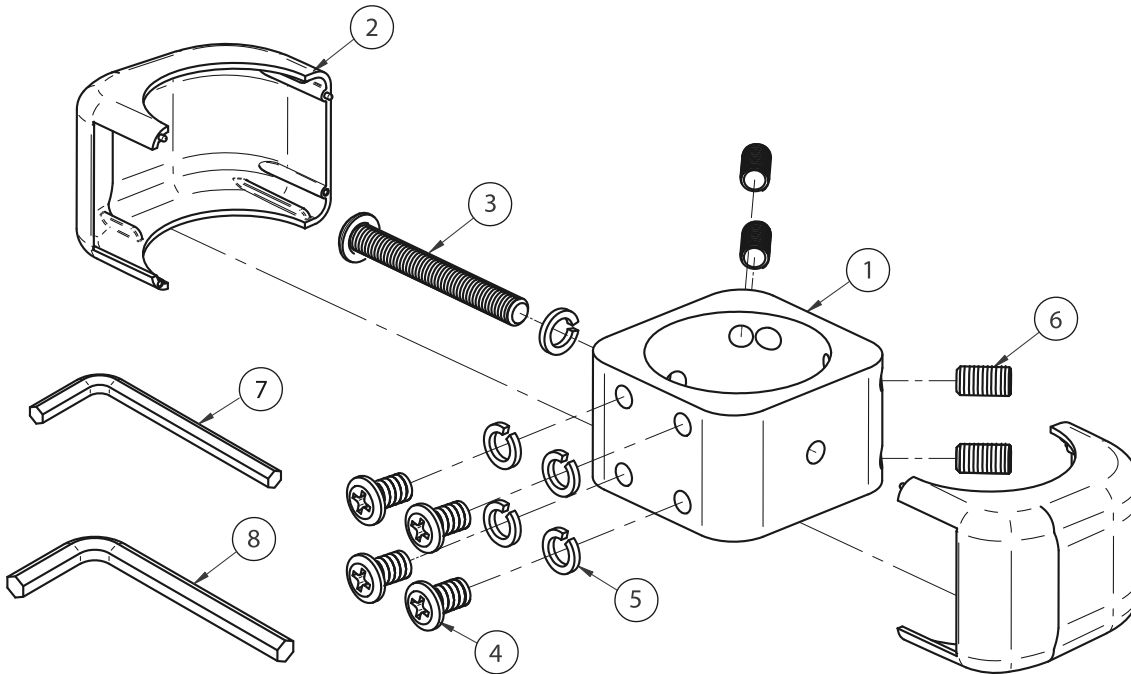


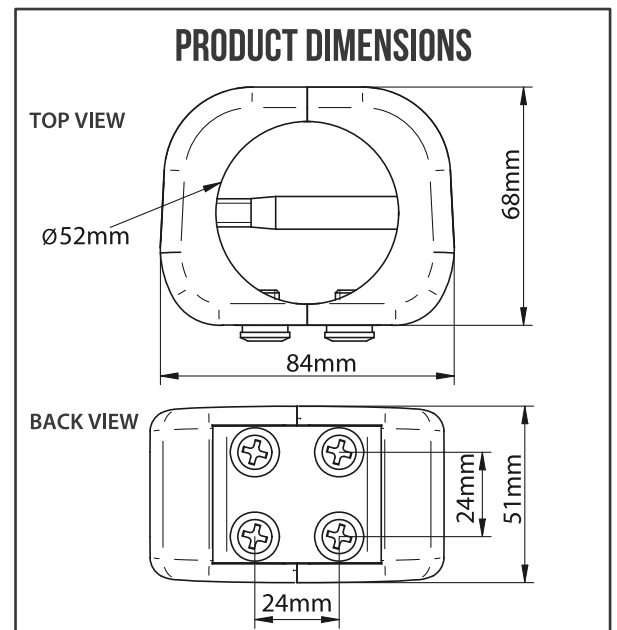
BT7051

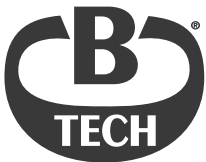
Ø50MM HEAVY DUTY ACCESSORY COLLAR FOR USE WITH BT7850 POLES

PARTS LIST



ITEM	DESCRIPTION	QTY
1	Ø50mm COLLAR	1
2	COLLAR COVER	2
3	M8 x 65mm HEX SCREW	1
4	M8 x 12mm HEX SCREW	8
5	M8 SPRING WASHER	9
6	M8 x 15mm GRUB SCREW	4
7	4AF HEX KEY	1
8	5AF HEX KEY	1





B-TECH AV MOUNTS®

BT7051

Ø50MM HEAVY DUTY ACCESSORY COLLAR



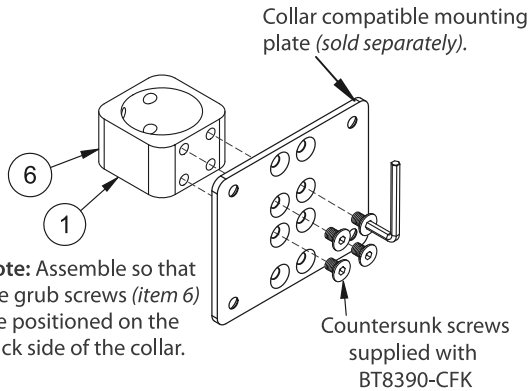
INSTALLATION INSTRUCTIONS



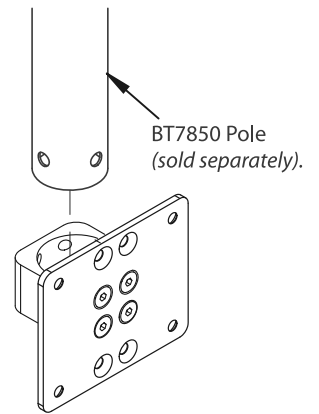
SYSTEM 2

The BT7051 is compatible with the System 2 and System X range of professional install products from B-Tech.

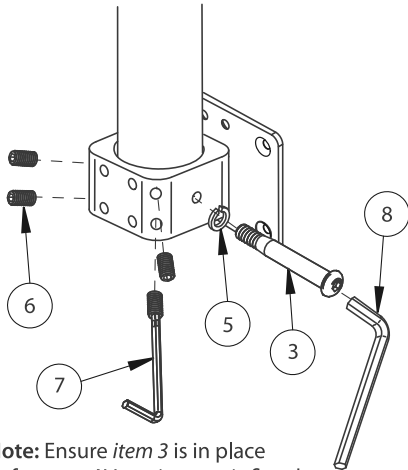
1. ATTACH THE COLLAR TO A COLLAR COMPATIBLE MOUNTING PLATE



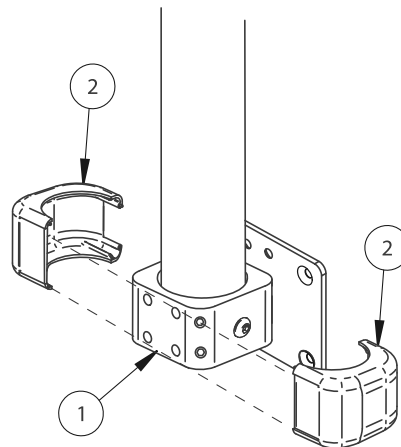
2. SLIDE COLLAR ONTO A Ø50MM POLE



3. INSERT ITEM 3 AND TIGHTEN ITEM 6 TO FIX COLLAR TO POLE

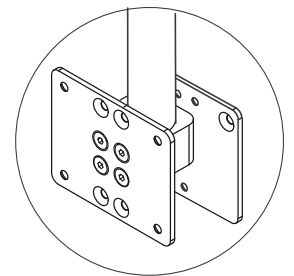


4. ADD COVERS (ITEM 2)



BACK-TO-BACK MOUNTING

4 extra pieces of items 4 & 5 are included for back-to-back mounting on the collar.



Note: Item 2 cannot be used when mounting items back-to-back

CONTACT:

info@btechavmounts.com

©2021 B-Tech International Design & Manufacturing Ltd. All rights reserved.

B-Tech AV Mounts is a division of B-Tech International Design & Manufacturing Ltd.

B-Tech AV Mounts and the B-Tech logo are registered trade marks.

All other brands and product names are trademarks of their respective owners.

Photographs are for illustrative purposes only. E&OE.

AMA-BT7051-V2.2-0221-03 MADE IN THE P.R.C.

