

DOUBLE ARM FLAT SCREEN WALL MOUNT WITH ULTRAGLIDE TILT & SWIVEL

Designed for medium to large screens, this universal double arm wall mount combines strength and versatility with effortless usability. B-Tech's **UltraGlide Tilt** technology allows users to reposition displays up to 35kg with a simple touch, securely holding the tilt in place. Featuring three swivel points at the wall, arm and interface, the mount enables quick and smooth screen adjustments, whether folded flat against the wall or fully extended. Compatible with 16" stud walls, brick, and concrete surfaces, this mount is engineered for both commercial and home installations.



SPECIFICATIONS

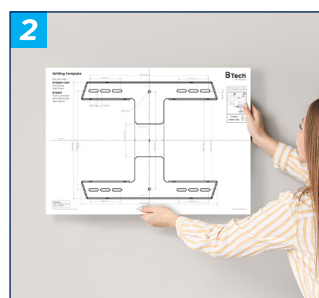
Recommended screen size	up to 65"
Max load	35kg
Universal fixings	up to 600 x 400mm
Tilt	+14° / -3°
Screen levelling	+ / -3°
Swivel	180° at wall & interface, 360° at central pivot
Lateral adjustment	+ / -20mm
Distance from wall	Min: 65mm Max: 591mm
Colour	Black

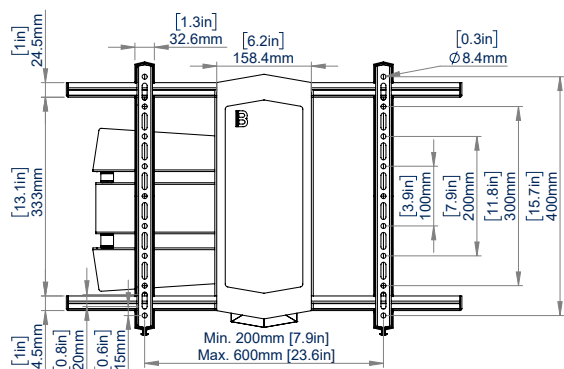
FEATURES

- 1** B-Tech's **UltraGlide Tilt** technology allows easy, secure screen adjustment
- 2** Printed template for wall drilling makes installation quick and easy
- 3** Swivel points enables quick, smooth screen positioning
- 4** Ideal for mounting across 16" stud walls
- Integrated cable management throughout the mount
- Suitable for both landscape and portrait mounting
- Tilt can also be fixed at selected angles of -2°, 0° & 15°
- Slim-line design allows close-to-wall installation when folded flat
- Lateral adjustment of screen after mounting
- Safety screws to prevent unauthorised screen removal
- Toolless screen levelling
- Cover plates included for an attractive finish
- Simple 'hook-on' installation with all mounting hardware included
- **100% plastic free packaging**

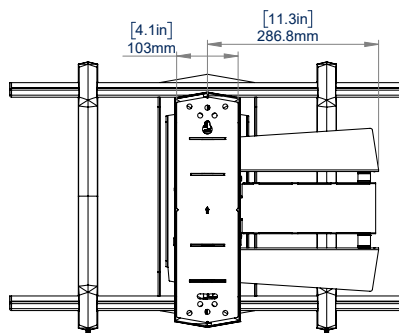


RECOMMENDED MAX SCREEN	MAX LOAD	MAX VESA	TILT	SWIVEL	POST INSTALL ALIGNMENT	COLLAR COMPATIBLE	PLASTIC FREE PACKAGING	QR CODE
65" 165cm	35kg	600 x 400	2° 14°	180°	← →	⊕ ⊖		





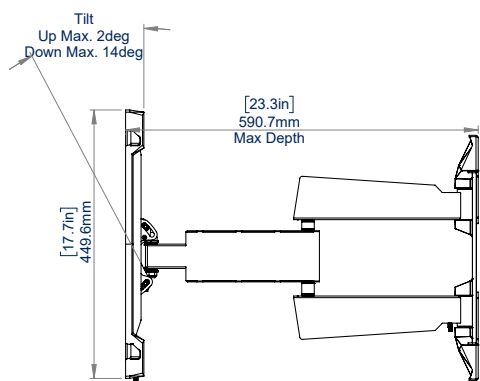
FRONT VIEW



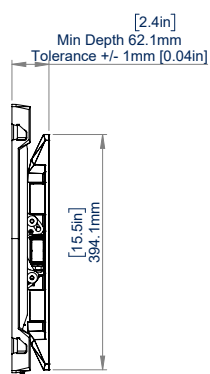
REAR VIEW



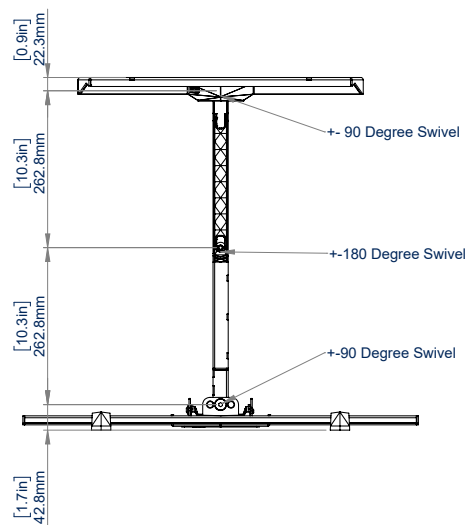
TOP VIEW
CLOSE TO THE WALL



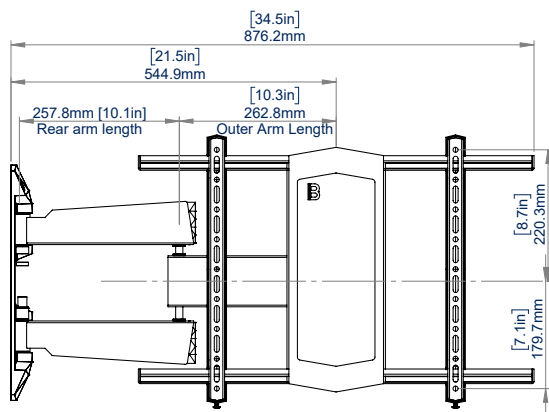
SIDE VIEW
MAX EXTENSION



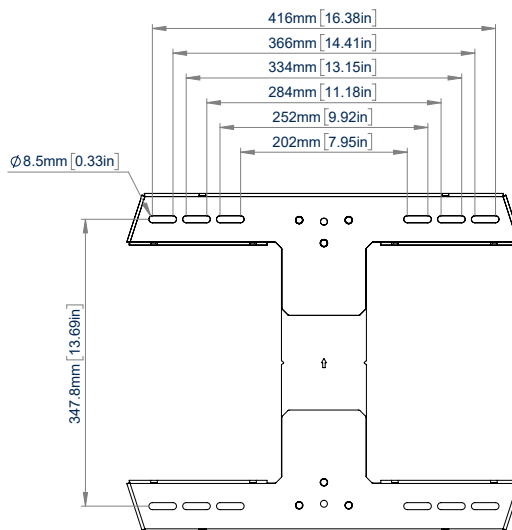
SIDE VIEW
CLOSE TO THE WALL



TOP VIEW
MAX EXTENSION



SIDE VIEW
FRONT OF MOUNT



WALL PLATE

ORDERING INFORMATION

COLOUR	ORDER REF	EAN
Black	BT8229/B	5019318309113

RELATED PRODUCTS

PRODUCT CODE	NAME	DESCRIPTION
BTV513	Double Arm Wall Mount	Features easy tilt and swivel, ideal for screens up to 55"
BT8226	Vantage Double Arm Wall Mount	Features easy tilt and swivel, ideal for screens up to 65"
BT8227	Vantage Twin Cantilever Wall Mount	Features easy tilt and swivel, ideal for screens up to 75"
BT8228	Vantage Heavy-Duty Twin Cantilever Wall Mount	Features easy tilt and swivel, ideal for screens up to 65"

© 2016 B-Tech AV Mounts Co., Ltd. All rights reserved.
The information in this specification sheet reflects the current technical specifications at the time of printing.
We reserve the right to change the technical or physical specifications without prior notice. The B-Tech name and the B-Tech logo are registered trademarks of B-Tech AV Mounts Co., Ltd.
B-Tech is not responsible for any loss or damage caused by improper installation or mounting on unstable structures. Any reproduction or use without our permission is prohibited.
Specification sheet is strictly prohibited to be used for any other product without our permission. B-Tech AV Mounts Co., Ltd. 2016.

SS-BT8229-161024