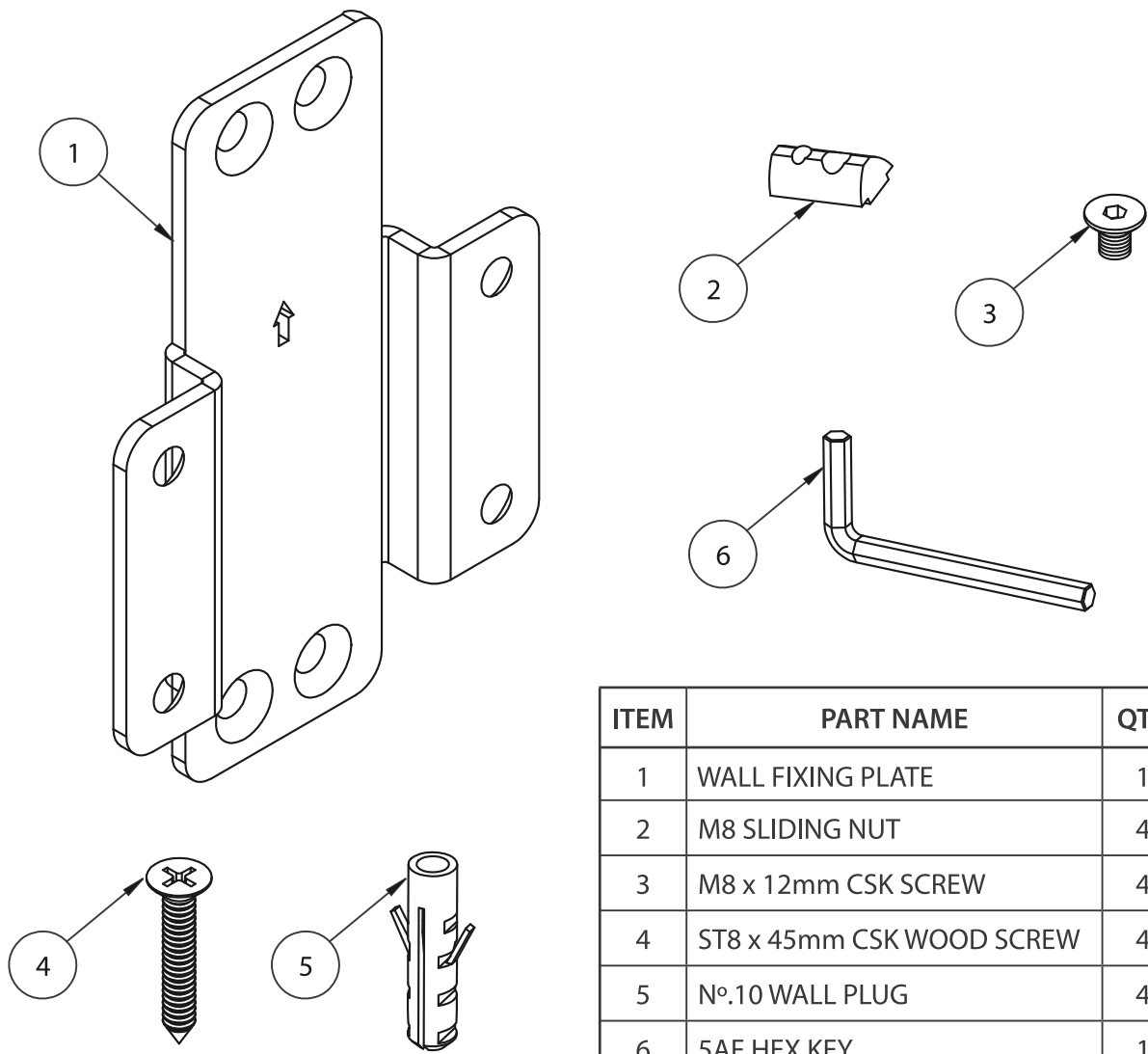


# BT8390-WFK2

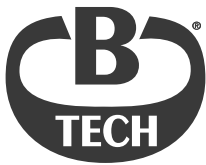
RAIL MOUNTING BRACKET  
USE WITH A BT8390 MOUNTING RAIL

## PARTS LIST



ITEM	PART NAME	QTY
1	WALL FIXING PLATE	1
2	M8 SLIDING NUT	4
3	M8 x 12mm CSK SCREW	4
4	ST8 x 45mm CSK WOOD SCREW	4
5	Nº.10 WALL PLUG	4
6	5AF HEX KEY	1

Designed to work in conjunction with B-Tech's System X range

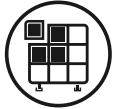


B-TECH AV MOUNTS®

# BT8390-WFK2 RAIL MOUNTING BRACKET

Quantity of brackets required per rail length(landscape installs):\*

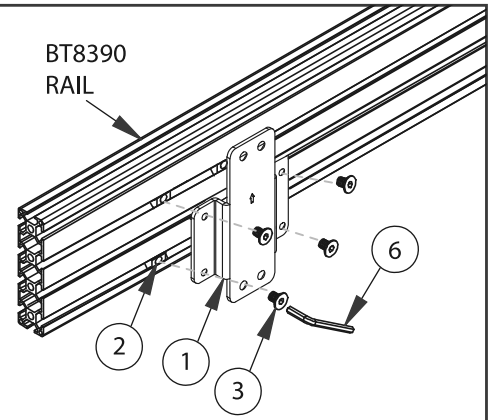
Rail Length	Qty
up to 2000mm (up to 78")	2pcs
2001mm - 3500mm (79" -135")	3pcs
3501mm - 5500mm (136" -215")	4pcs
5501mm - 7750mm (216" -305")	5pcs
7751mm - 8500mm (305" -335")	6pcs



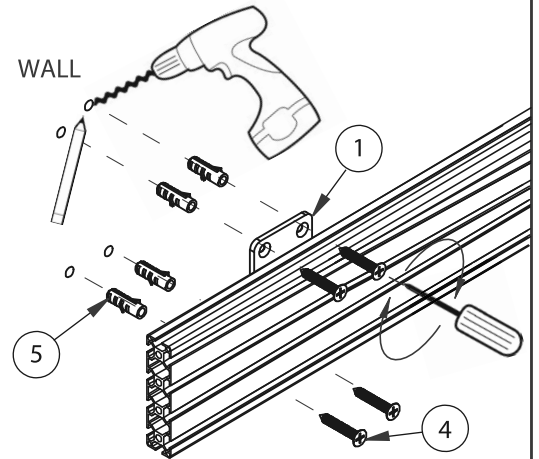
\*Use B-Tech's online configuration tool to automatically calculate the quantity required based on your configuration.

## INSTALLATION INSTRUCTIONS

i. Fix item 1 to a BT8390 Mounting Rail using items 2 & 3.

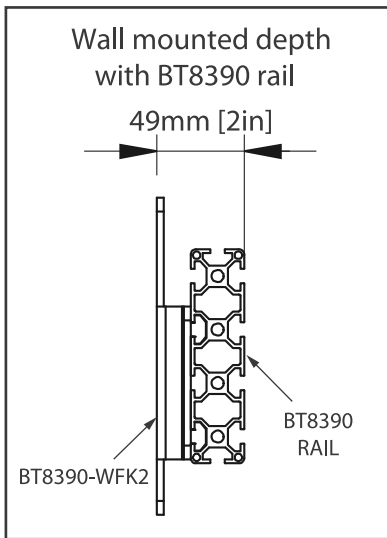


ii. Fix item 1 to a wall\*\* using items 4 & 5.

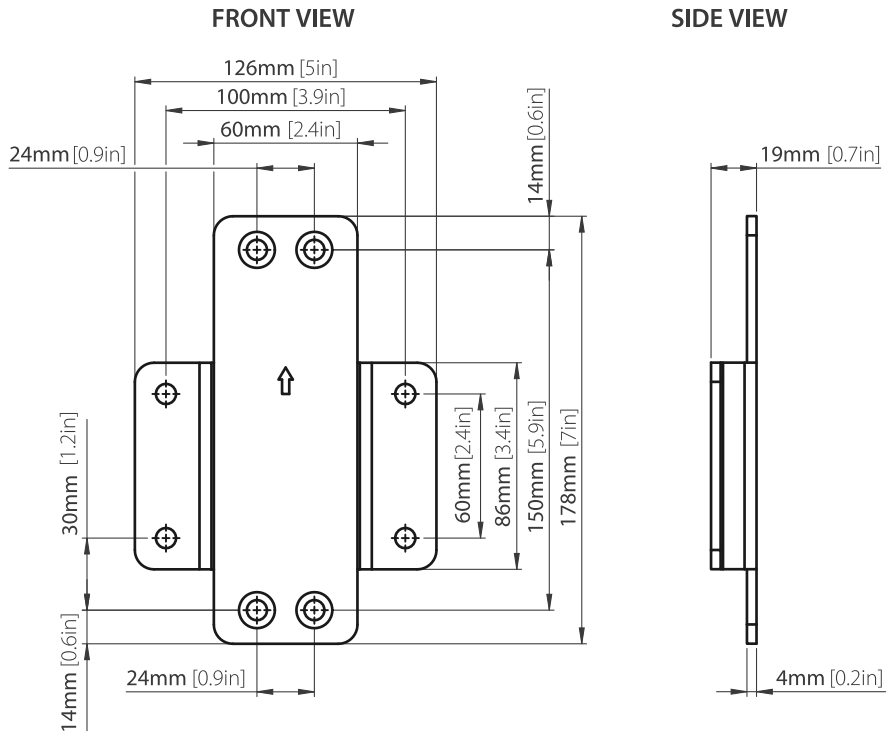


\*\*Please pay careful attention to where this product is located. Check load capacity of the wall prior to installation as some surfaces are not suitable for installation. Item 5 not required for wooden walls

## PRODUCT DIMENSIONS



These dimensions are intended as a guide only and B-Tech accepts no liability for the accuracy of the information



### CONTACT:

info@btechavmounts.com

©2022 B-Tech International Design & Manufacturing Ltd. All rights reserved.

B-Tech AV Mounts is a division of B-Tech International Design & Manufacturing Ltd.

B-Tech AV Mounts and the B-Tech logo are registered trade marks.

All other brands and product names are trademarks of their respective owners.

Photographs are for illustrative purposes only. E&OE.

AMA-BT8390-WFK2-V2.2-0322-129 MADE IN VIETNAM

