



B-TECH AV MOUNTS™

CHOICE OF
FOUR POLE
LENGTHS

BT8424 UNIVERSAL FLAT SCREEN CEILING MOUNT WITH TILT

Designed to ceiling mount screens up to 50kg in either landscape or portrait orientation, the BT8424 is available in a choice of four different drop lengths; 1m, 1.5m, 2m and 3m. The mount uses B-Tech's unique 'Torsion-Tilt' mechanism for easy tilt up to +/-15°. Levelling screws are included on the interface arms to finely adjust the screen height and locking screws help prevent unauthorised removal of the screen. Cover plates are supplied for a neat and tidy installation.

SPECIFICATION

Recommended screen size	39" - 65"
Max load	50kg
VESA® compatibility (as standard)	up to 400 x 400
VESA® compatibility (with included adaptors)	up to 600 x 400
Tilt adjustment	+/-15°
Ceiling drop	1003mm, 1503mm, 2003mm or 3003mm*
Colour (interface)	Black
Colour (poles)	Black or Chrome

*From the ceiling to the centre of the mount

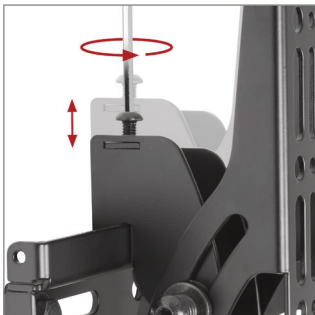
FEATURES

- Unique 'Torsion-Tilt' mechanism for easy tilt adjustment
- Post installation screen alignment for perfect screen positioning
- Arms feature levelling screws to adjust the screen height
- Suitable for landscape or portrait mounting
- Security screws help prevent unauthorised removal of screens
- Poles are supplied with safety bolt and grub screws for a secure installation
- Available in four pole lengths for more mounting flexibility
- Integrated cable management
- Cover plate included for a smart installation
- Simple 'hook-on' screen installation
- All mounting hardware included



INTERFACE

POLES



Levelling screws allow adjustment of the screen height once mounted



Security locking screws and Allen key provide a secure installation



Post installation screen alignment for perfect screen positioning



Maximum VESA fixing can be increased to 600mm using the included adaptor arms

