



BT8425

FLAT SCREEN CEILING MOUNT WITH ADJUSTABLE DROP AND TILT INSTALLATION GUIDE & PARTS LIST

This Pack Contains 1 Ceiling Mount

PLEASE KEEP THIS FOR FUTURE REFERENCE



FEATURES

- Designed for screens up to 55" (140cm) / 35kg
- Fits screens with mounting patterns up to 465mm x 400mm including VESA® fixings up to 400 x 400mm
- Adjustable ceiling drop in increments of 25mm: 668mm - 943mm (from ceiling to centre of interface)
- Simple tilt adjustment: +/-18°
- Integrated cable management
- Security locking screws, allen key and locking bars provided for secure installation
- All mounting hardware and fixings included



Registered Design Number: 001713280-0036 / 403650

CONTENTS

Installation Safety Notes.....	2
Parts List.....	4
Installations Instructions.....	6
Product Dimensions.....	11
B-Tech Contact Details.....	12

TOOLS REQUIRED

13mm (1/2")
spanner or socket



Crosshead
screwdriver



Drill



10mm (7/16")
masonry bit or
6mm (1/4") wood bit



Pencil



B-TECH AUDIO VIDEO MOUNTS

www.btechavmounts.com

INSTALLATION SAFETY INSTRUCTIONS



CAUTION: This mount is intended for use only with the maximum weights indicated.

Use with flat screens heavier than the maximum indicated may result in instability causing possible injury.

Do not attempt to install this product until all instructions and warnings have been read and properly understood. Please keep these instructions for future reference.

Please check carefully to make sure there are no missing or defective parts - defective parts must never be used. B-Tech International Limited, its distributors and dealers are not liable or responsible for damage or injury caused by improper installation, improper use or failure to observe these safety instructions. In such cases, all guarantees will expire.

General

B-Tech International Ltd recommends that a professional AV installer or other suitably qualified person install this product. Great care must always be taken during installation as most AV equipment is of a fragile nature, possibly heavy and easily damaged if dropped.

If you do not fully understand the instructions or are not sure how to install this product safely, then please consult a professional for advice and/or to install this product for you. Failure to mount this product correctly may cause serious injury or death both during installation and at any time thereafter.

Do not mount any AV equipment that exceeds the specific weight limit of the product you are installing. This weight limit will be clearly stated on each product and its packaging and will vary from product to product.

Product location

Please pay careful attention to where this product is located. Some ceilings are not suitable for installation. If located in a public or frequently populated area ensure that the product is out of the immediate reach of people. If any AV equipment is to be suspended over the likely path or location of people then great care should be taken to secure all parts of the installation from falling. When drilling holes into walls it is essential to avoid contact with electrical cables and water or gas pipes contained within. Use of a good quality live wire detector and hidden object locator is therefore recommended. Only drill into structures when you are sure it is safe to do so.

Fixing hardware

It is highly recommended that all fixing screws be used where supplied and that the purpose of all other fixing hardware is fully understood. In some cases more AV equipment fixing hardware will be supplied to accommodate different models of equipment and set up configurations. The installer must be satisfied that any supplied fixing hardware is suitable for each specific installation. If any fixing screws or included hardware are deemed not sufficient for a safe installation then please consult a professional or your local hardware store.

Hazard limitation

When routing cables take advantage of any built in cable management features that the product might provide and ensure that all cables are tidy and secure. Check to see that any moving aspect of the product can do so unhindered by any cabling. Some products have moving parts and the potential to cause injury through the crushing or trapping of fingers or other body parts. Particular attention to the nature of moving parts is required especially when assembling installing and adjusting during set up.

Immediately after installations double-check that the work done is safe and secure. Double-check all necessary fixings are present and are of ample tightness.

It is recommended that periodic inspections of the product and its fixing points are made as frequently as possible to ensure that safety is maintained. If in doubt consult a professional AV installer or other suitably qualified person.

CS

Společnost B-Tech International Ltd. doporučuje provést instalaci tohoto produktu prostřednictvím odborného instalátora AV či jinak způsobilé osoby. Společnost B-Tech International Ltd, její distributoři a prodejci nenesou odpovědnost za škody nebo zranění způsobená nevhodnou instalací. Tento výrobek je nutno umístit do vhodné konstrukce a používat jen po uvedené maximální výšce.

DE

B-Tech International Ltd. empfiehlt, dass dieses Produkt durch einen qualifizierten AV-Techniker oder eine andere Person mit geeigneter Qualifikation installiert wird. B-Tech International Ltd, ihre Distributoren und Händler können nicht für durch fehlerhafte Montage verursachte Beschädigung oder Verletzung haftbar bzw. verantwortlich gemacht werden. Dieses Produkt muss auf eine geeignetem Untergrund montiert werden und darf nur bis zum angegebenen Höchstgewicht verwendet werden.

ES

B-Tech International Ltd. recomienda que un instalador de audio y vídeo profesional u otra persona debidamente cualificada instalen este producto. B-Tech International Ltd, sus distribuidores y concesionarios no se hacen cargo ni se responsabilizan de ningún daño o lesión provocados por una instalación inapropiada. Este producto se debe montar en una estructura adecuada y se debe utilizar soportando solamente hasta el peso máximo indicado.

FR

B-Tech International Ltd. recommande de confier l'installation de ce produit à un installateur AV professionnel ou à une autre personne dûment qualifiée. B-Tech International Ltd, ses distributeurs et ses revendeurs ne sauraient être tenus responsables de tout dégât ou de toute blessure résultant d'une installation incorrecte. Ce produit doit être monté sur un support approprié et utilisé dans la limite du poids maximum indiqué.

IT

B-Tech International Ltd. consiglia di affidare l'installazione di questo prodotto a un installatore specializzato o ad altra persona adeguatamente qualificata. B-Tech International Ltd, i suoi distributori e rivenditori non accettano alcuna responsabilità nei riguardi di eventuali danni o infortuni causati da un'errata installazione. Questo prodotto deve essere fissato a una struttura idonea e utilizzato unicamente sino al peso massimo indicato.

NL

B-Tech International Ltd. adviseert om dit product te laten installeren door een professionele AV-installateur of andere hiervoor gekwalificeerde persoon. B-Tech International Ltd, haar distributeurs en dealers zijn niet aansprakelijk of verantwoordelijk voor schade of letsel die is veroorzaakt door onoordeelkundige installatie. Dit product moet worden gemonteerd aan een geschikte constructie, waarbij het aangegeven maximum gewicht niet mag worden overschreden.

PL

Firma B-Tech International Ltd. zaleca, aby ten produkt był instalowany przez profesjonalnych instalatorów AV lub inny odpowiednio przeszkolony personel. Firma B-Tech International Ltd, jej dystrybutorzy i dealerzy nie ponoszą odpowiedzialności za uszkodzenia lub obrażenia ciała powstałe w wyniku nieprawidłowej instalacji. Niniejszy produkt musi być zamontowany na odpowiedniej powierzchni, a podczas użytkowania nie wolno przekraczać podanego maksymalnego obciążenia.

PT

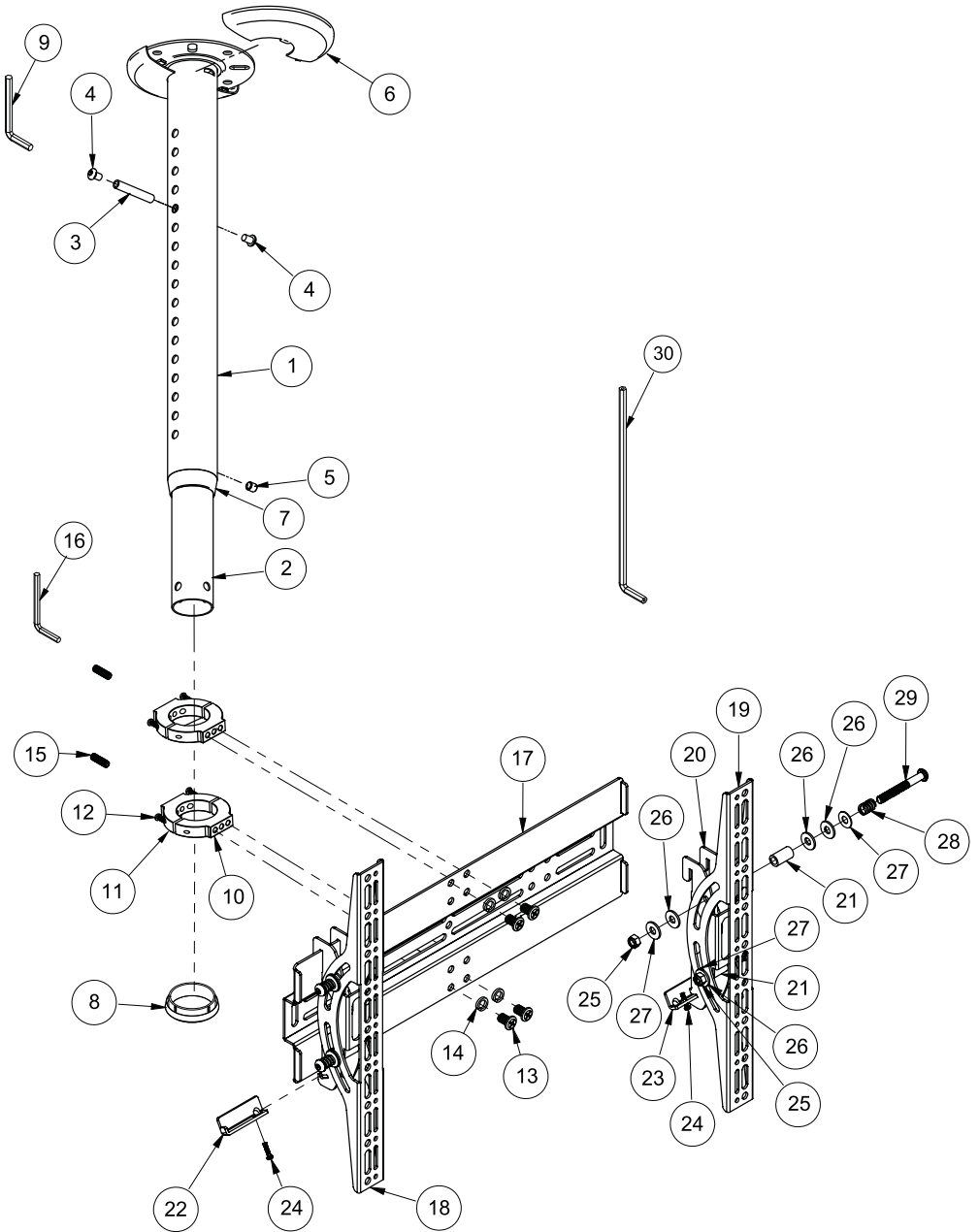
A B-Tech International Ltd. recomenda que a instalação deste produto seja efectuada por um instalador de AV profissional ou outra pessoa devidamente habilitada. A B-Tech International Ltd. e os seus distribuidores e concessionários não são responsáveis por danos ou lesões causados por uma instalação incorrecta. Este produto tem de ser montado numa estrutura adequada e utilizado somente até ao peso máximo indicado.

RU

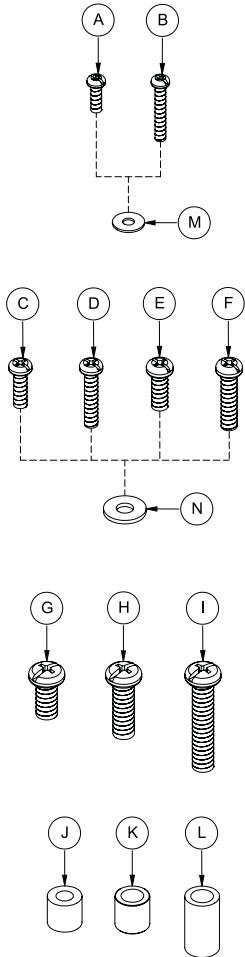
Компания B-Tech International Ltd. рекомендует, чтобы установка данного изделия производилась инженером по установке аудио-видеотехники или другим специалистом с соответствующей квалификацией. Компания B-Tech International Ltd., ее дистрибьюторы и дилеры не несут ответственности за повреждения или травмы, полученные в результате неправильной установки. Данное изделие должно

توصي بي-تيك للتجارة الدولية المحدودة بأن شخص محترف في تركيب ال AV او شخص مؤهل تأهيلا مناسباً لتركيب هذا المنتج. بي-تيك للتجارة الدولية، موزعيها والتجار ليست عرضة أو مسؤولة عن الأضرار أو الإصابات الناجمة عن تركيب غير سليم، والاستخدام غير السليم أو عدم مراعاة هذه التعليمات للسلامة. يجب أن يتم تركيب هذا المنتج في بنية مناسبة ويجب استخدام فقط لدعم الحد الأقصى للوزن المشار إليه.

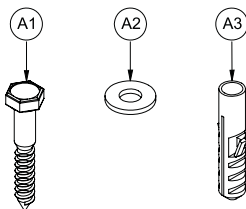
BT8425
PARTS LIST



FLAT SCREEN INTERFACE KIT
(for attaching mount to back of flat screen)



CEILING FIXING KIT
(for fixing mount to ceiling)



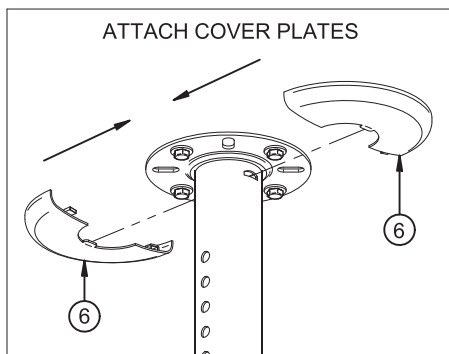
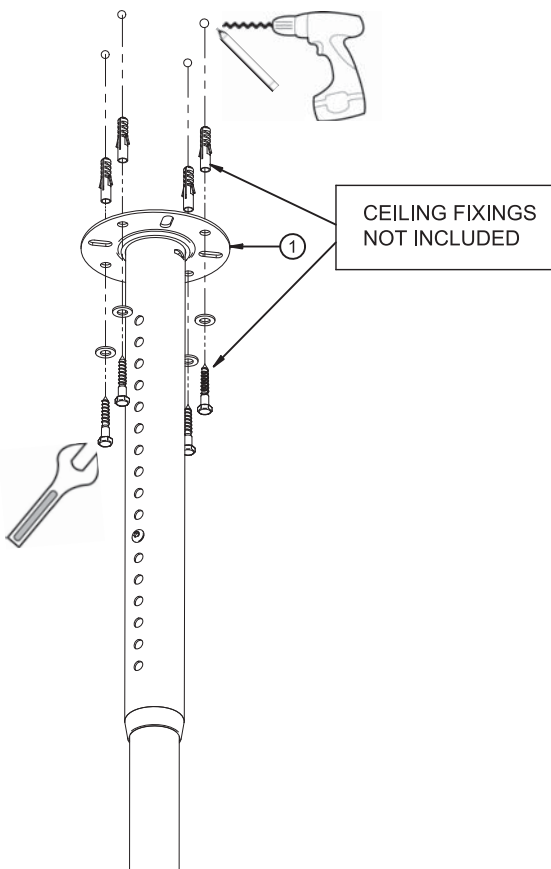
REF	PART NAME	QTY
BT7851		
1	CEILING MOUNT OUTER TUBE	1
2	INNER SLIDING TUBE	1
3	SHEAR PIN	1
4	M8 x 12mm SCREW	2
5	M10 x 10mm GRUB SCREW	1
6	COVER PLATE HALF	2
7	TAPER MOULDING	1
8	POLE END RING	1
9	5mm HEX KEY	2
BT7841		
10	Ø50mm COLLAR HALF A	2
11	Ø50mm COLLAR HALF B	2
12	M6 x 20mm SCREW	4
13	M8 x 12mm SCREW	8
14	M8 SPRING WASHER	8
15	M8 x 25mm GRUB SCREW	4
16	4mm HEX KEY	2
BT8431		
17	INTERFACE PLATE	1
18	INTERFACE ARM A	1
19	INTERFACE ARM B	1
20	HOOK PLATE	2
21	24mm SPACER	4
22	LOCKING BAR (LEFT)	1
23	LOCKING BAR (RIGHT)	1
24	M4 x 16mm SCREW	2
25	M8 NYLOC NUT	4
26	M8 PLASTIC WASHER	16
27	M8 METAL WASHER	4
28	TORSION TILT SPRING	4
29	M8 x 65mm SCREW	4
30	5mm SECURITY HEX KEY	1
INTERFACE KIT		
A	M4 x 12mm SCREW	4
B	M4 x 25mm SCREW	4
C	M5 x 16mm SCREW	4
D	M5 x 25mm SCREW	4
E	M6 x 16mm SCREW	4
F	M6 x 25mm SCREW	4
G	M8 x 16mm SCREW	4
H	M8 x 25mm SCREW	4
I	M8 x 40mm SCREW	4
J	M6 x 12mm SPACER (For Parts B, D & F)	4
K	M8 x 13mm SPACER (For Part H)	4
L	M8 x 25mm SPACER (For Part I)	4
M	M4 METAL WASHER (For Parts A & B)	4
N	M6 METAL WASHER (For Parts C, D, E & F)	4
FIXING KIT (ONLY 4 REQUIRED TO FIX TO CEILING)		
A1	M8 x 50mm COACH SCREW	6
A2	M8 METAL WASHER (For Part A1)	6
A3	No. 10 WALL PLUG (For Part A1)	6

PLEASE KEEP THIS FOR FUTURE REFERENCE

INSTALLATION INSTRUCTIONS

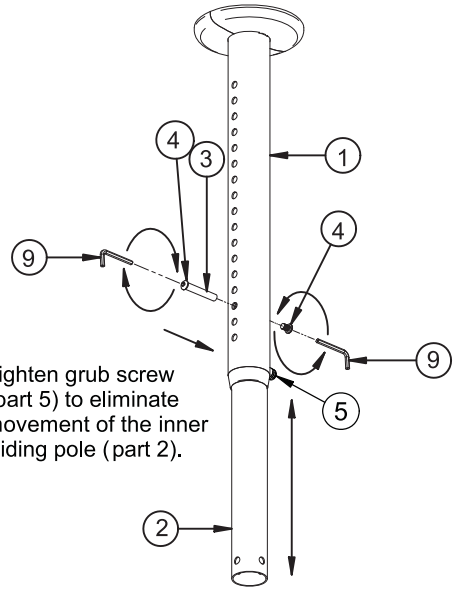
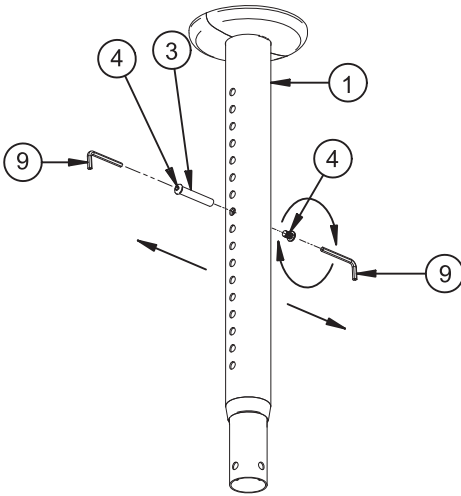
1

Fix the ceiling mount to the ceiling.



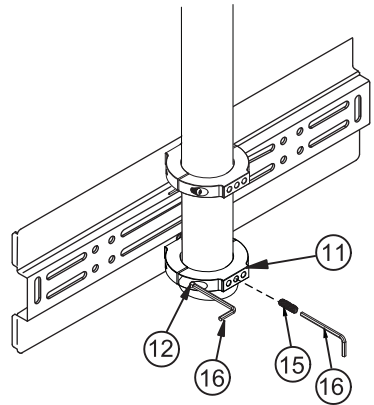
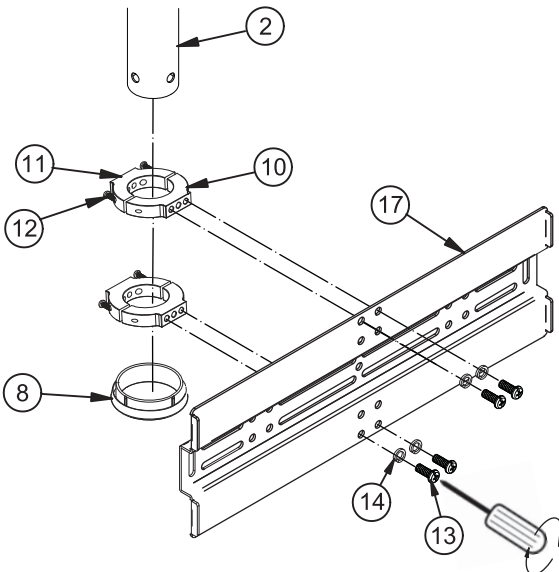
2 Adjust ceiling drop to desired height.

Attention!
Ensure shear pin (part 3) is in place before any AV equipment is fitted. Two 5mm hex keys (Part 9) must be used simultaneously to tighten screws (part 4).



Tighten grub screw (part 5) to eliminate movement of the inner sliding pole (part 2).

3 Attach interface plate (part 17) to collars (parts 10 & 11) and slide onto the pole (part 2). Once positioned on the pole, tighten screws (part 12) on collars to fix interface plate in place, ensure gap between the collar halves on both sides are equal.

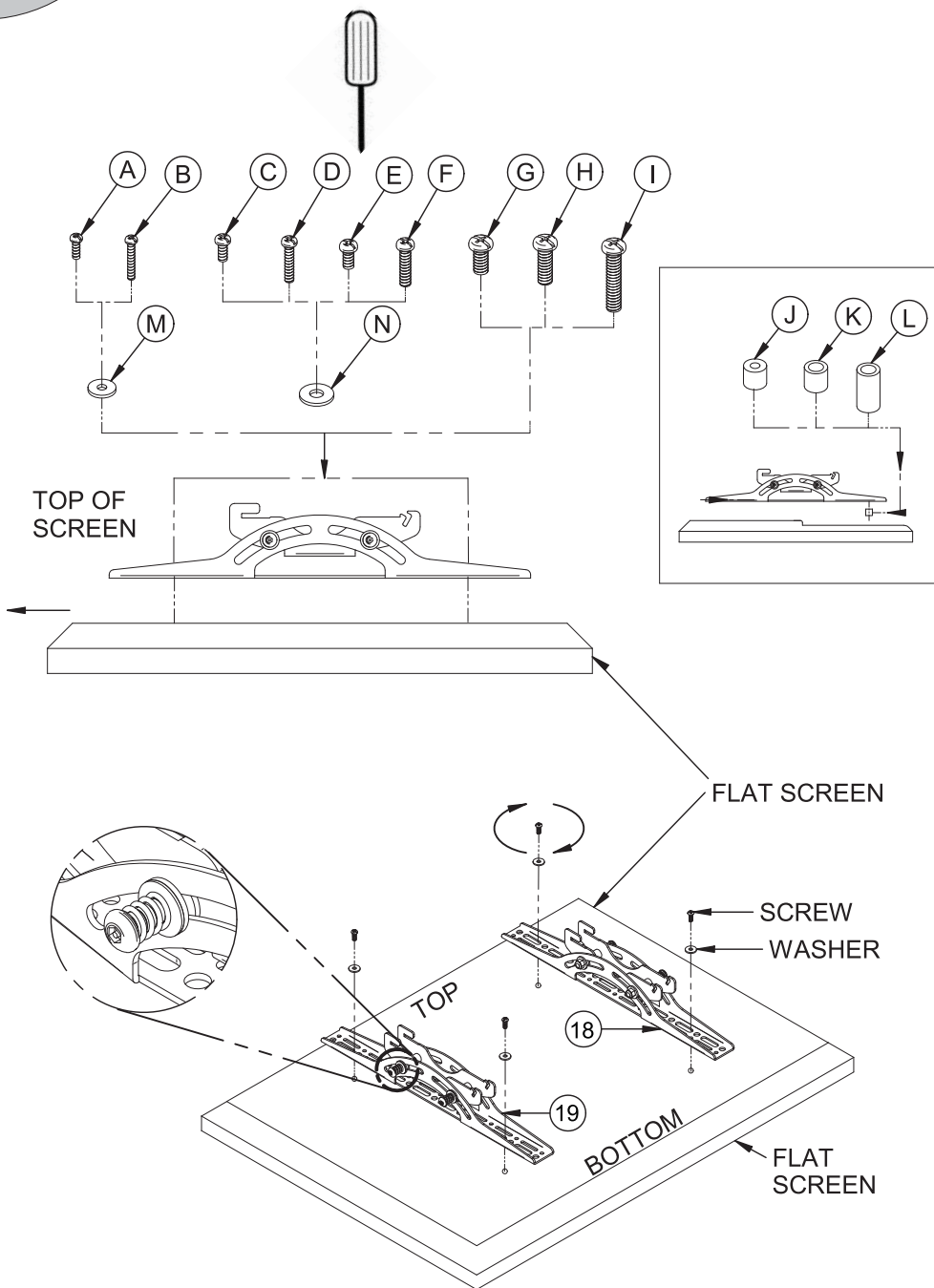


Using the existing holes* in the pole, fasten a M8 x 25mm grub safety screw (part 15) into the bottom collar before screen mounting. Stop tightening the grub screw once the head of the screw is flush with the surface of the collar.

*The $\varnothing 50\text{mm}$ pole may also be drilled through to accommodate the safety grub screws.

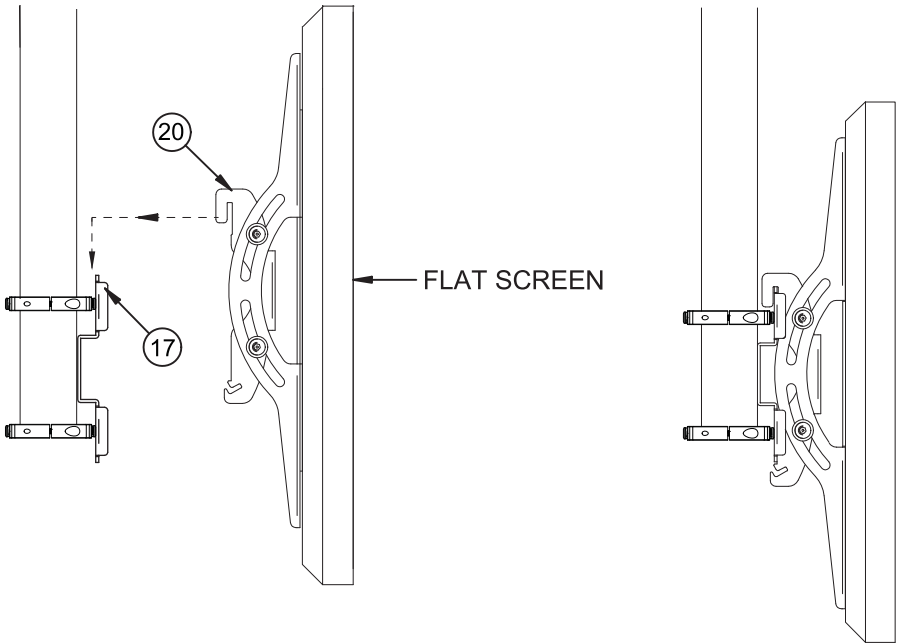
4

Attach interface arms to flat screen using interface kit.

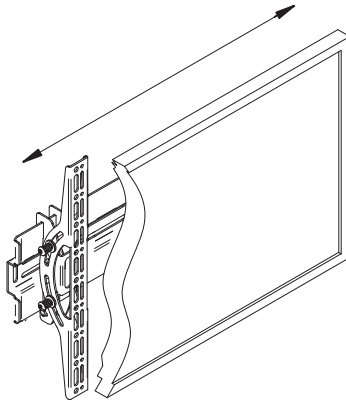


5

Hook flat screen onto mount (this may require 2 people).



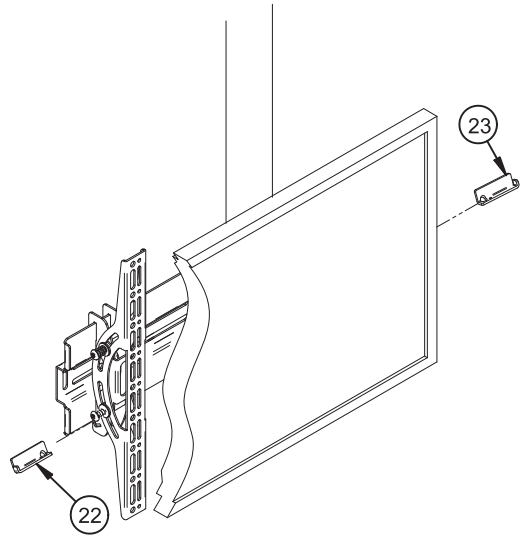
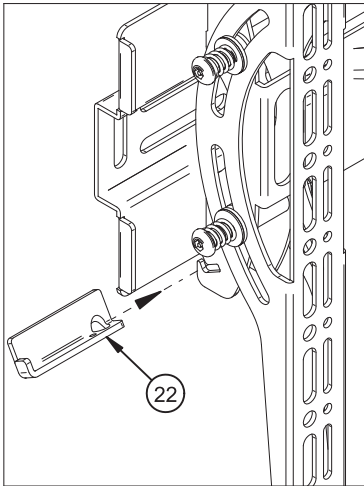
Lateral Adjustment



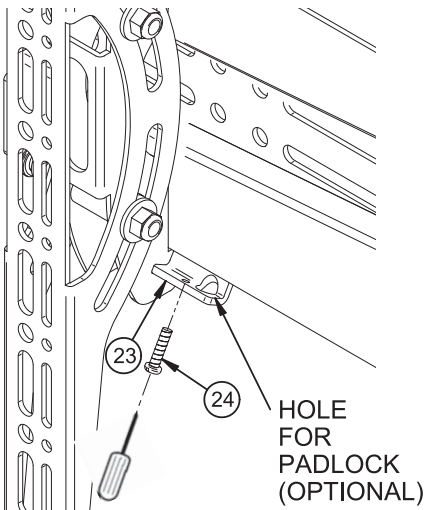
6

Insert locking bars and screws.

i) Locking bars

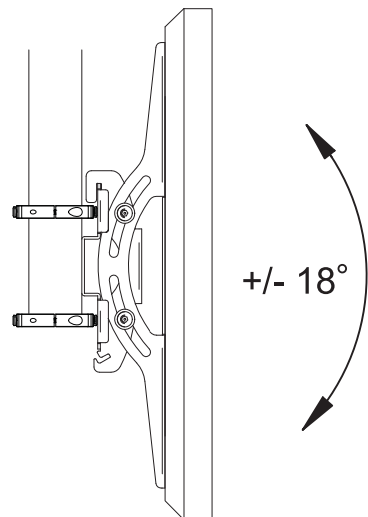


ii) Locking screws.



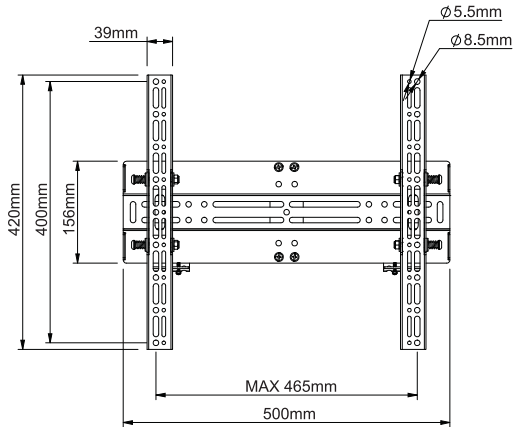
7

Adjust the tilt by hand.

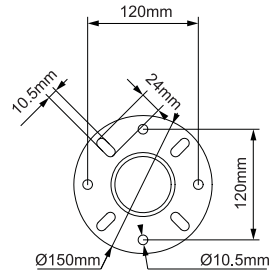


BT8425 PRODUCT DIMENSIONS

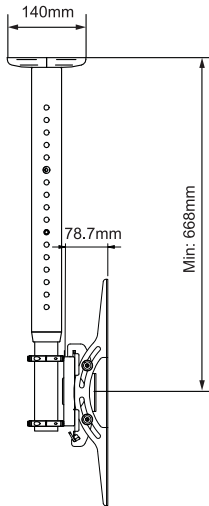
Flat Screen Interface



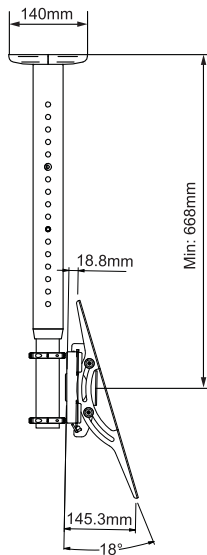
Ceiling Plate



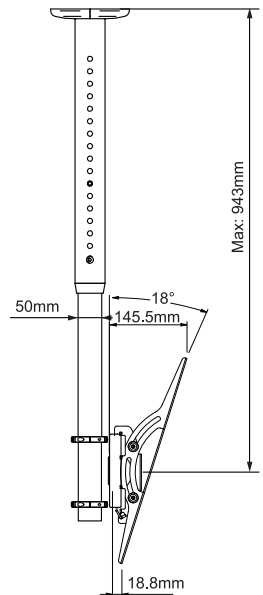
Side View - Minimum Drop



Side View - Interface Tilt



Side View - Maximum Drop



THESE INSTRUCTIONS ARE INTENDED AS A GUIDE ONLY AND B-TECH ACCEPTS NO LIABILITY FOR THE ACCURACY OF THE INFORMATION CONTAINED IN THIS DOCUMENT.



www.btechavmounts.com

B-TECH AUDIO VIDEO MOUNTS

HEAD OFFICE

B-Tech International Limited

Bennett House, Long March, Daventry, Northants., NN11 4NR, UK

Email: info@btechavmounts.com

©2016 B-Tech International Limited. All rights reserved.

B-Tech Audio Video Mounts is a division of B-Tech International Limited.

B-Tech, Better By Design, System 2 and Pro Install are registered trademarks of B-Tech International Limited.

All other brands and product names are trademarks of their respective owners.

Photographs are for illustrative purposes only. E&OE.

AMA-BT8425-V1.1-0616-BTECH Made in P.R.C.