



DOUBLE ARM FOR EXTENDED REACH

BTV504

FLAT SCREEN WALL MOUNT WITH DOUBLE ARM

Designed to wall mount small to medium sized screens, this double arm wall mount features a tilting interface and three swivel points, allowing quick and easy repositioning of screens as required - whether folded flat against the wall at a depth of 79mm or at maximum extension. Cable management is included to help make a neat and tidy mounting solution which is ideal for home installations as well as commercial applications.



SPECIFICATION

Recommended Screen Size	up to 42"
Max Load	25kg
VESA® compatibility	up to 200 x 200
Screen Rotation	360°
Tilt	+/-15°
Swivel	180°
Extension	79 - 385mm
Colour	Black

FEATURES

- Double arm for extended reach - ideal for corner mounting
- Folds flat to the wall
- Interface features tilt, swivel and screen rotation
- Integrated cable management
- Integrated spirit level for easy wall plate levelling during installation
- Simple 'hook-on' installation
- All mounting hardware included



Folds flat to the wall with a distance of only 79mm



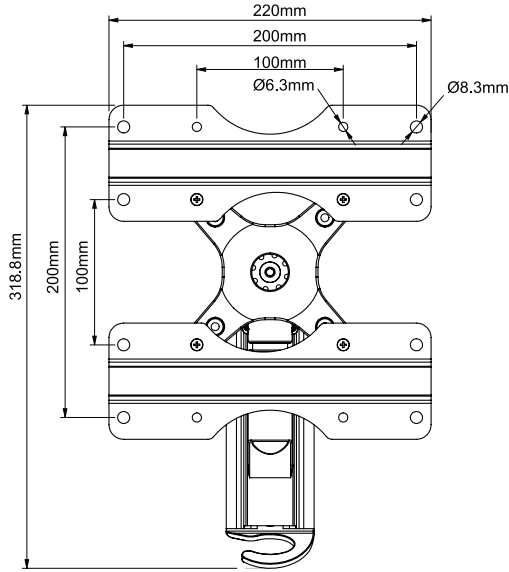
Integrated cable management and spirit level included



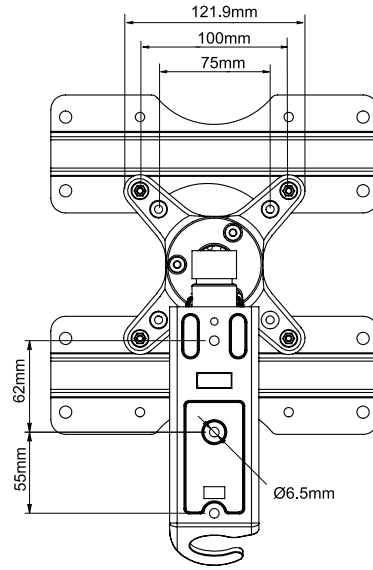
Features up/down tilt plus 3 pivot points



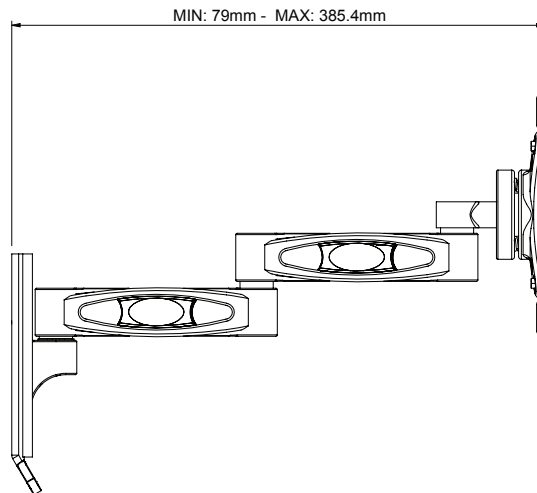
Interface allows screen rotation of 360°



FRONT VIEW EXTENSION



REAR VIEW



SIDE VIEW WITH ARM EXTENDED

PACKING INFORMATION

COLOUR:	ORDER REF:	EAN CODE:	MASTER CARTON QTY:	INNER CARTON QTY:	MASTER CARTON WEIGHT:	MASTER CARTON CUBE:
Black	BTV504/B	5019318440625	4	0	9.88kg	0.029cbm

ACCESSORIES AND SIMILAR PRODUCTS TO THE BTV504



BTV502
Flat Screen Wall Mount with Tilt & Swivel designed for screens up to 42"



BTV503
Single Arm Wall Mount with Tilt & Swivel designed for screens up to 42"



BTV920
AV Component Shelf designed for holding all common AV equipment



BTV914
Universal Soundbar Mount fits directly to BTV504 to mount a Soundbar under your screen

© 2016 B-Tech International Pty. Ltd. All rights reserved.
The information in this document is for informational purposes only. It is not intended to be used as a substitute for professional advice. B-Tech International Pty. Ltd. is not responsible for any damage or loss of data caused by the use of this information. B-Tech International Pty. Ltd. is not responsible for any damage or loss of data caused by the use of this information. B-Tech International Pty. Ltd. is not responsible for any damage or loss of data caused by the use of this information. B-Tech International Pty. Ltd. is not responsible for any damage or loss of data caused by the use of this information.