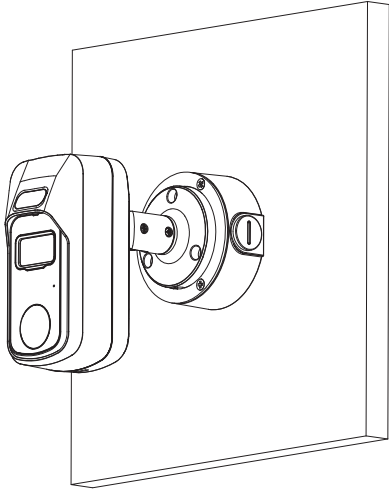
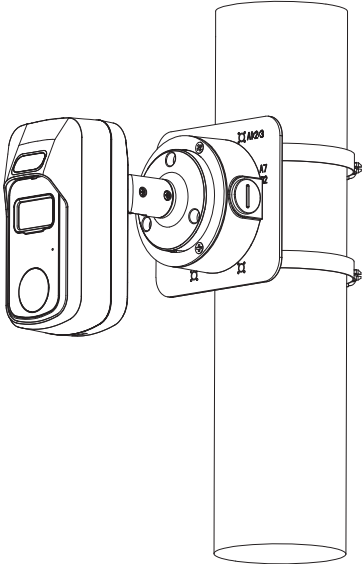


Junction Mount	Pole Mount
PFA134	PFA134 + PFA152-E
 A technical line drawing showing a rectangular junction box mounted on a flat surface. A cylindrical component is attached to the front of the box, with a smaller cylindrical component protruding from its center. The junction box has a rectangular cutout on its front face.	 A technical line drawing showing a cylindrical pole mount. A rectangular junction box is mounted on the side of the pole. A cylindrical component is attached to the front of the box, with a smaller cylindrical component protruding from its center. The junction box has a rectangular cutout on its front face. The pole is represented by a vertical cylinder.