

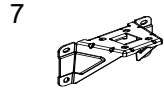
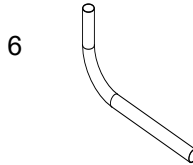
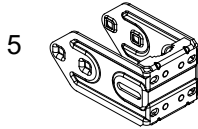
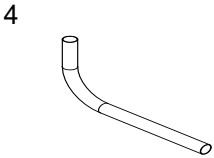
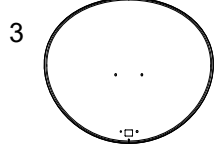
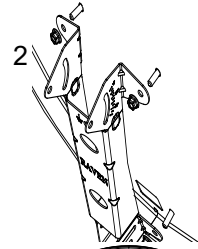
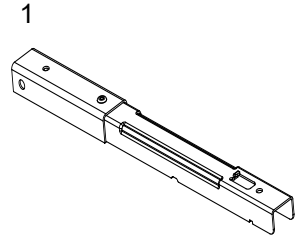
DB60L2 Mesh Sat. Dish with Twin LNB for Sky and Free to Air



Parts List

Item	Description	Qty
1.	Antenna	1
2.	Antenna Bracket	1
3.	Elevation Bracket	1
4.	Feed Leg	1
5.	L Tube	1
6.	Wall Mount	1
7.	Fixing Kit	1
	Twin LNB	1

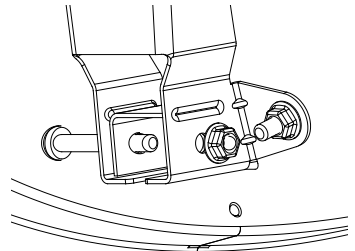
Item	Description	Qty
10.	M6 serrated flange nuts	17
11.	M6x12 painted Posi Pan	4
12.	M6x16 cup squares	4
13.	M6x40 Posi Pan Screw	1
14.	M6 U Bolt (43mm ctrs)	4

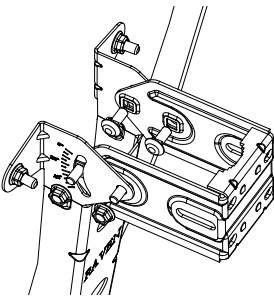


Assembly Instructions

1. Fix Antenna Bracket (2) to Antenna (1) using 4 off M6x12 painted posi pan screws (11) & M6 nuts (10). Leave bottom 2 nuts loose until Feed Leg (4) is secure.

2. Insert Feed Leg (4) into Antenna Bracket (2) through hole in the dish face and secure in place using an M6x40 posi pan screw (13) & an M6 nut (10). Note; tighten bottom 2 nuts on the Antenna.

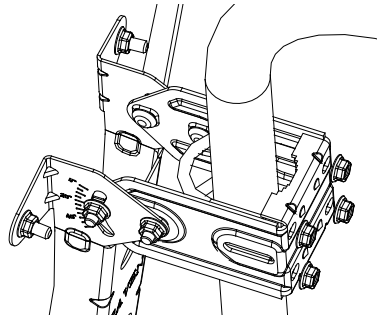
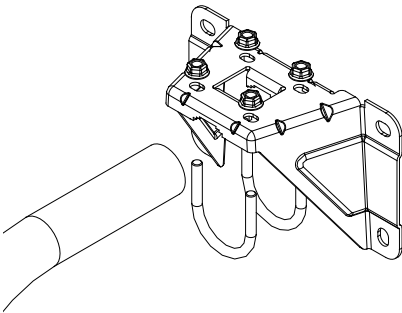




3. Attach Elevation Bracket (3) to Antenna Bracket (2) using 4 off M6x16 cup square screws (12) & M6 nuts (10).

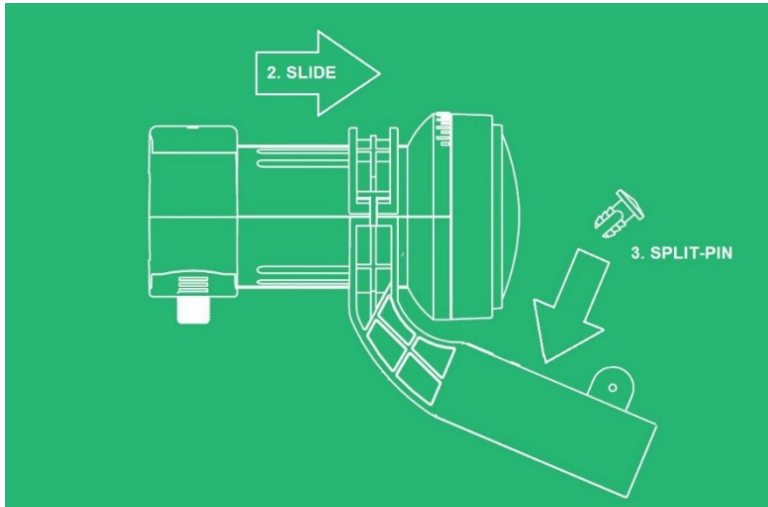
4. Insert L Tube (5) into Wall Mount Bracket (6) & secure using 2 off M6 U Bolts (14) & 4 off M6 nuts (10). If the horizontal angle of the antenna from the wall is between $\pm 55^\circ$ then the short end of the L Tube should be fixed to the wall mount, if the angle is to increase above 55° ($\pm 90^\circ$) then the long end should be fixed to the wall mount.

5. After the Wall mount has been fixed to the wall, clamp the dish assembly to the wall mount assembly using 2 off M6 U Bolts (14) & 4 off M6 nuts (10).



LNB Alignment

1. Carry out basic alignment of your dish, setting the angle of elevation above the horizontal and azimuth angle from magnetic North.
2. Loosen the screw on the collar and slide the bracket on the LNB to the front.



3. Roughly align the polarisation angle of the LNB (Astra 28.2) then connect your meter for the final fine tuning. When aligned tighten the screw on the collar.
4. Remove the meter and connect the down-leads to the receivers or multiswitch, using f-connectors, then pull down the weather shield.