

MNT-600W

SPECIFICATIONS

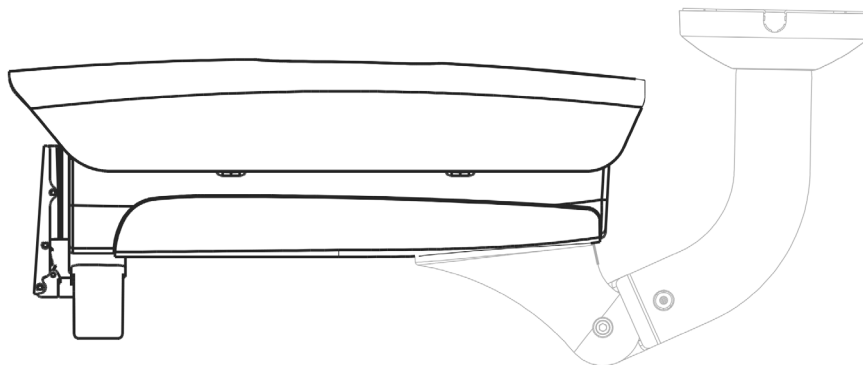
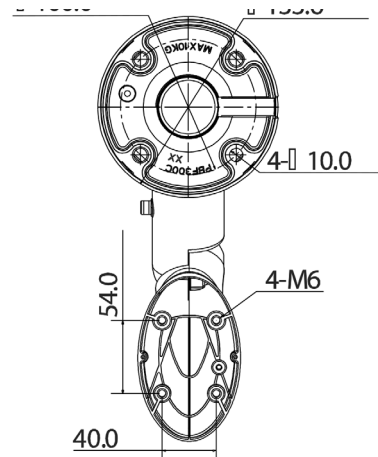
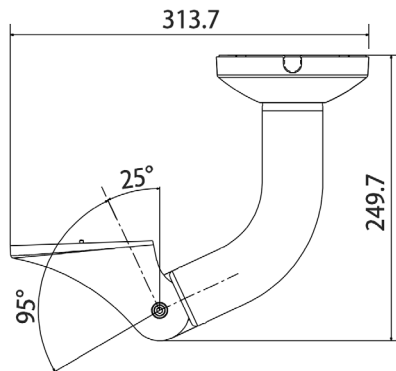
Material	Aluminium & PC
Dimension (W x H x D)	314mm x 250mm x 133mm
Pipe Thread	N/A
Operating Temperature	-40°C -60°C
Humidity	0-90% RH
Load Bearing	3.0Kg
Weight	0.99Kg

FEATURES

Material	Aluminium & PC
Colour	White
Type	Ceiling Mount Bracket for Housing
Environmental	Weatherproof



DIMENSIONS & APPLICATION



• **European Head Office**
• IC Realtime,
• 12 Knockmitten Lane,
• Western Industrial Estate,
• Dublin 12,
• Ireland

• **UK Office**
• IC Realtime UK
• Surrey Technology Centre,
• 40 Occam Road,
• Guildford GU2 7YG,
• United Kingdom

• **USA Head Office**
• IC Realtime, LLC,
• 3050 N Andrews Ave EXT,
• Pompano Beach,
• FL 33064,
• USA

• **USA West Coast Office**
• IC Realtime West Coast,
• 14180 W Van Buren Street,
• Suite B-105, Goodyear,
• AZ 85338,
• USA

Email us info@icrealtime.net or visit www.icrealtime.net