

# MNT-CRM3

## Corner Mount Bracket

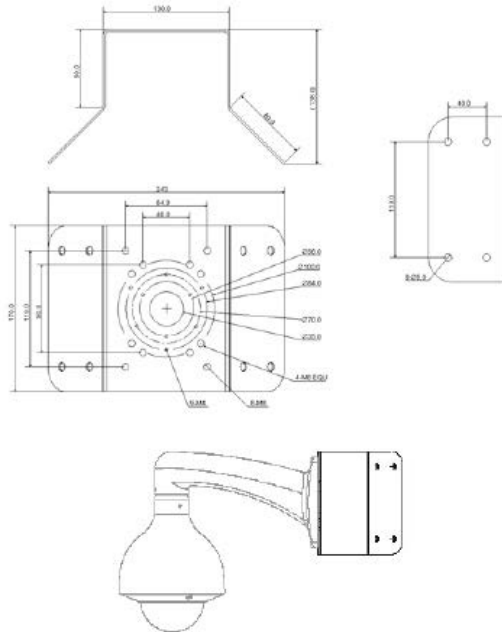


- Material: SECC
- Corner Mount Bracket
- Neat & Integrated design

### GENERAL

Material	SECC
Dimension (W x H x D)	243mm x 170mm x 138mm
Pipe Thread	N/A
Operating Temperature	-40°C -60°C
Humidity	0-90% RH
Load Bearing	10.0Kg
Weight	1.7Kg
Applicable Model	Please see "Accessory Selection"

### DIMENSIONS & APPLICATION



Email us [info@icrealtime.net](mailto:info@icrealtime.net) or visit [www.icrealtime.net](http://www.icrealtime.net)

Specifications subject to change without notice. ©2015 IC Realtime Limited. All rights reserved. Trademarks and registered trademarks are the property of their respective owners.