

Loft and eaves mounting kits



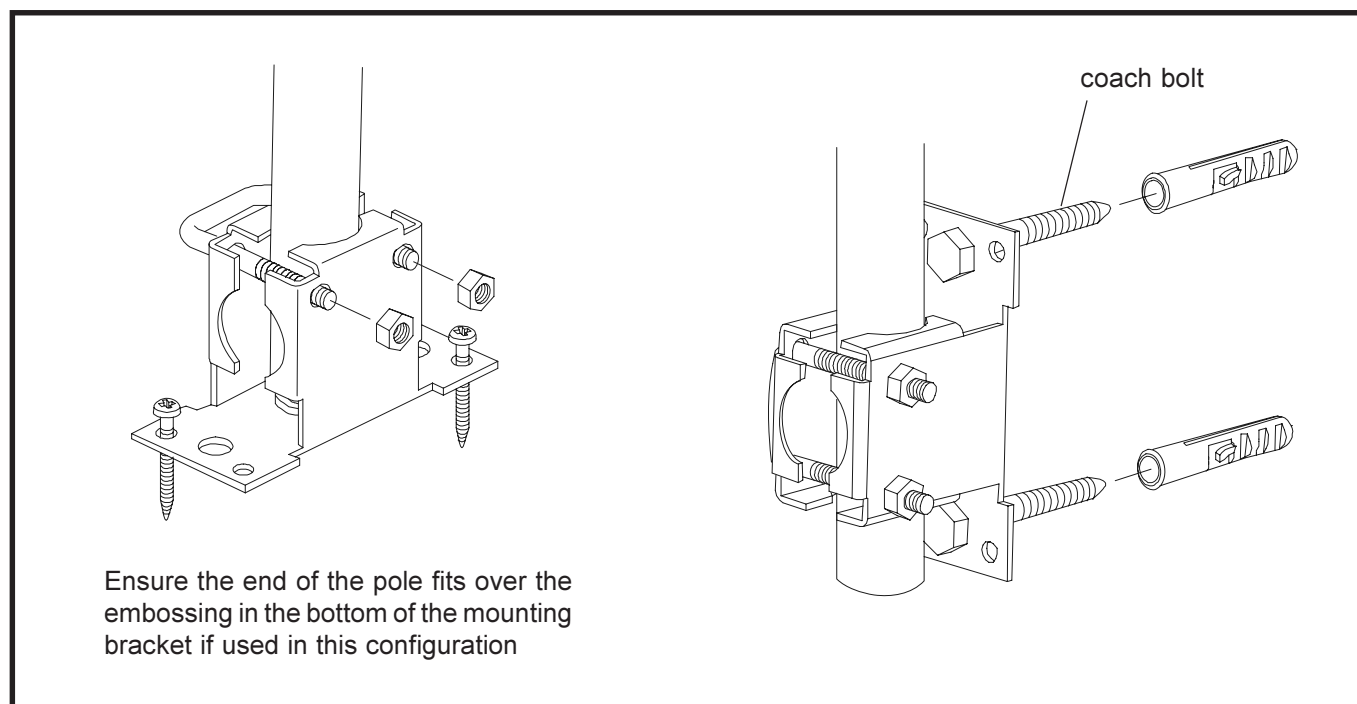
This leaflet covers the following:

loft mounting kits **LOFTKIT1** and **AC39** and eaves mounting kits **AC40/A** (20" pole), **AC40** (3' pole), and **AC40/B** (5' pole).

Fixing

Wall surfaces must be in sound condition. Do not fix the bracket any closer than 300 mm (12" or four courses of brickwork) to the top of a wall. Drill the wall using a 10 mm masonry bit to a depth of at least 65 mm (2.5") and fix the bracket using the plugs and coach screws supplied. To achieve a firm fixing, tighten the screws with a spanner. The bracket can also be fitted to a substantial timber beam, using the coach screws only. Pilot holes may need to be drilled in the timber first. Fascia boards, barge boards etc. may not provide sufficiently solid fixings and should not be used.

Two woodscrews are provided for fixing the bracket to a suitable roof timber (such as a rafter or truss).



Further advice may be downloaded from www.blake-uk.com/downloads on the following:

- reception problems
- fitting coaxial connectors
- distributing TV signals around the home
- general recommendations

Safety

Working at height - carry out work outdoors at height only if you are competent in the use of ladders and related access equipment. Always work safely within your own limitations, ensuring that all equipment used is appropriate and is in good condition.