

DH-PFB129W

Wall Mount Bracket



- Aluminum alloy material, cost-effective
- Dedicated for particular cameras, beautiful and elegant designed



Aesthetic Design



Made of Aluminum

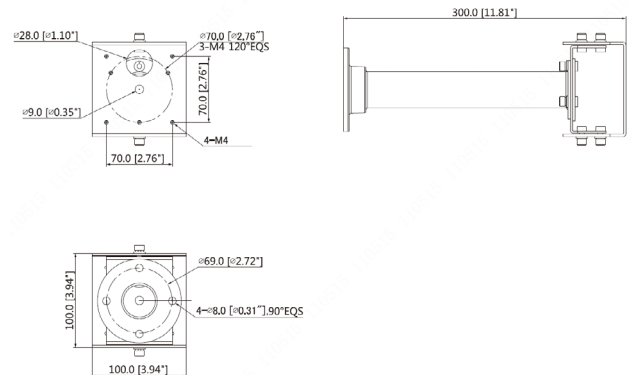


Easy Installation

Technical Specification

Material	Aluminum alloy
Dimensions	161.6mm x 125.6mm x 76.0mm (6.36" x 4.94" x 2.99")
Weight	0.54 kg (1.19 lb)
Load Bearing	3.0 kg (6.61 lb)
Operating Temperature	-40°C to +60°C (-40°F to +140°F)
Operating Humidity	<90% (RH)
Color	White
Applicable Model	Please see "Accessory Selection"

Dimensions (mm/inch)



Ordering Information

Type	Part Number	Description
Camera Mount	DH-PFB129W	Wall Mount Bracket

Installation



Package Information

- Wall Mount Bracket *1
- M4x10 screws *4
- M8x15 screws *1
- ST6 screws *4
- S3.0 wrench *1
- S5.0 wrench *1
- S6.0 wrench *1