

MNT-PFB220C

MNT-PFB220C

Ceiling Bracket for Mini Dome & Eyeball Camera



Features

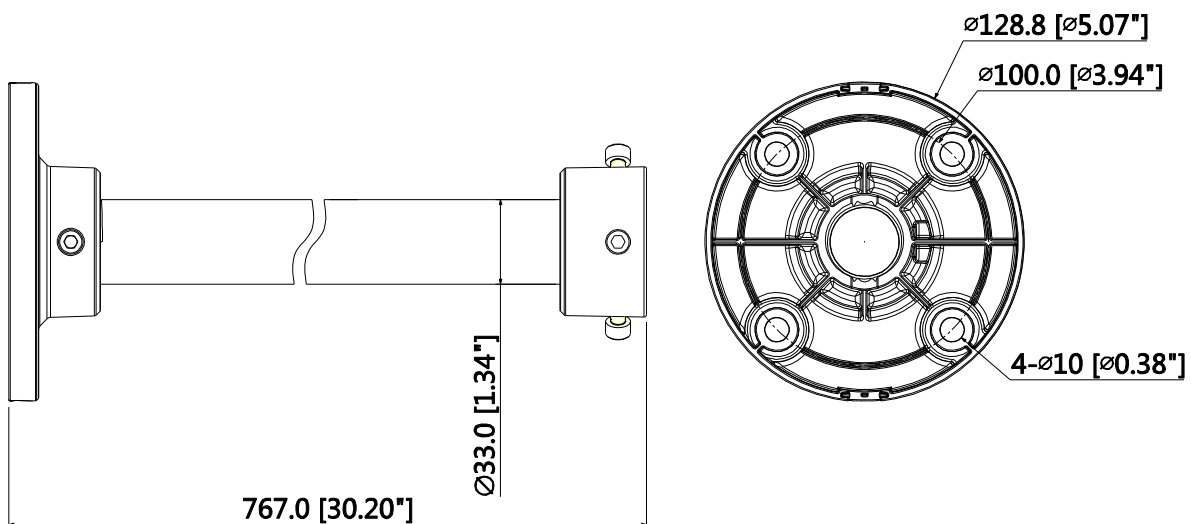
- Neat & Integrated design.
- Ceiling mount bracket.
- Material: Aluminum.

MNT-PFB220C

Technical Specifications

Model	MNT-PFB220C
General	
Material	Aluminum
Dimension	Φ128.8mmx767.0mm(Φ5.07"x30.2")
Weight	0.9kg(1.98lb)
Load Bearing	2kg(4.41lb)
Color	White
Operating Temperature	-40°C ~60°C(-40°F ~140°F)
Humidity	<90% RH

Dimensions (mm/inch)



Application



Package Information

- Ceiling mount Bracket *1
- S5.0 Wrench *1