

4K Monitor Base Bracket

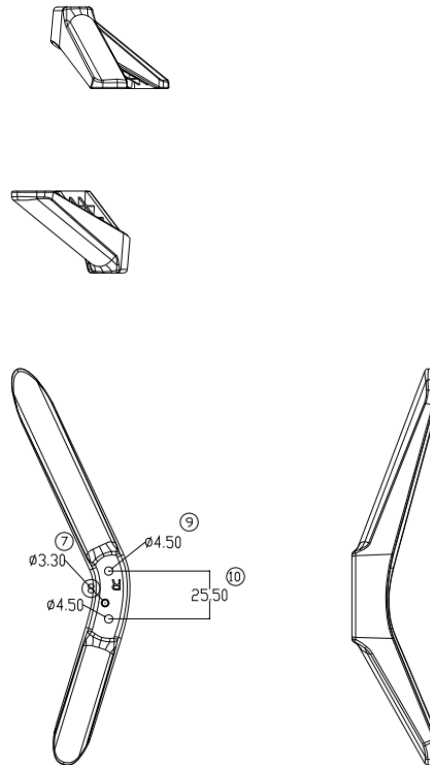
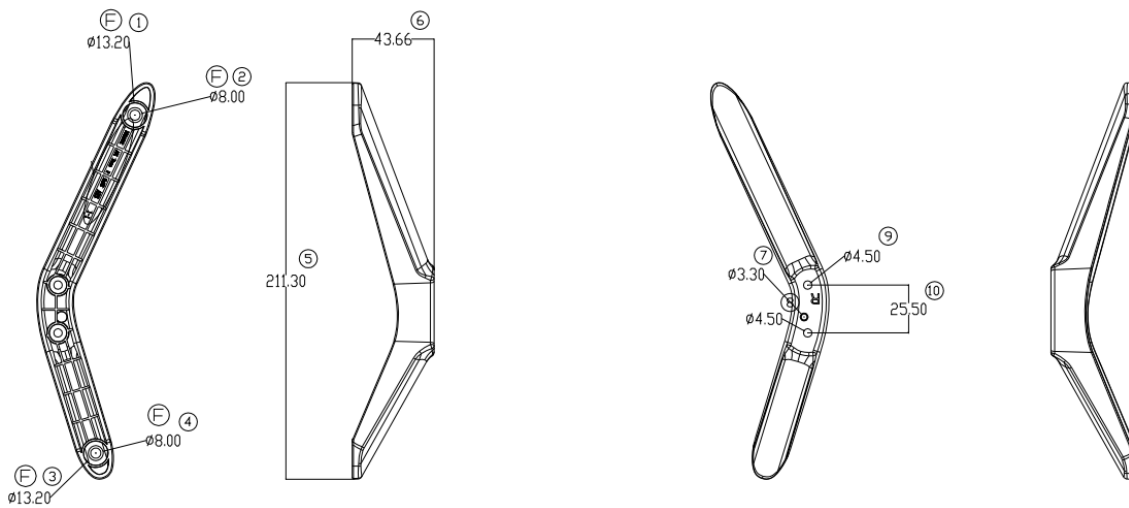
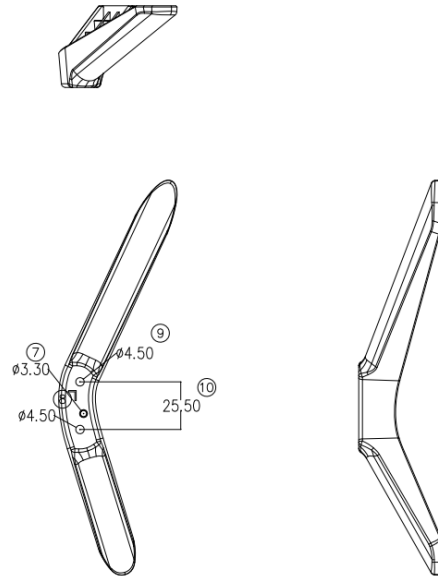
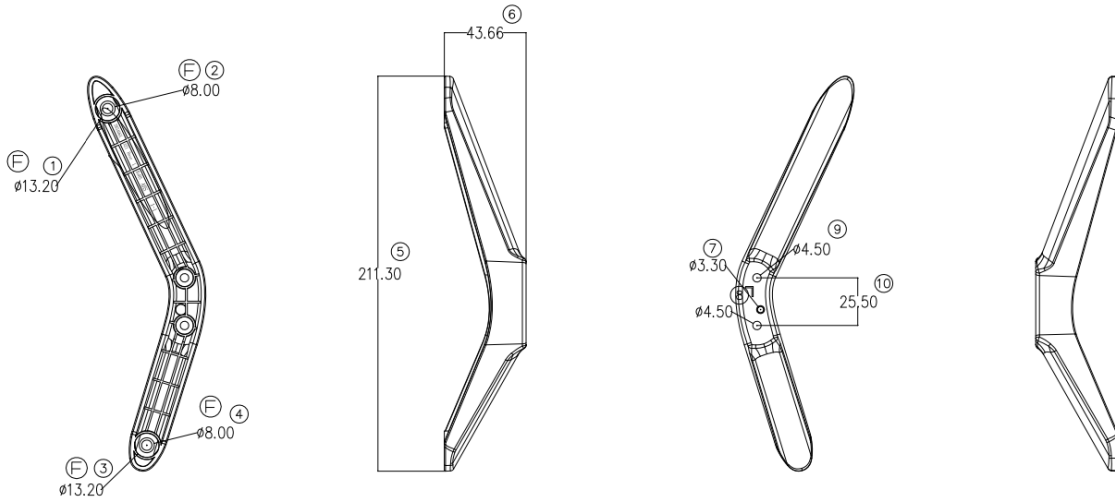
HB-5043-H



Specifications

Model	HB-5043-H
Dimension(W*H*D) (mm)	211.3*43.66*43.66
Package dimensions (W*H*D)(mm)	260*100*70
Weight(g/PCS)	25
Material	Plastic

Dimensions



Zhejiang Uniview Technologies Co.,Ltd.

Building No.10, Wanlun Science Park, Jiangling Road 88, Binjiang District, Hangzhou, Zhejiang, China

Email: overseasbusiness@uniview.com; globalsupport@uniview.com

<http://www.uniview.com>

©2022 Zhejiang Uniview Technologies Co.,Ltd. All rights reserved.

*Product specifications and availability are subject to change without notice.