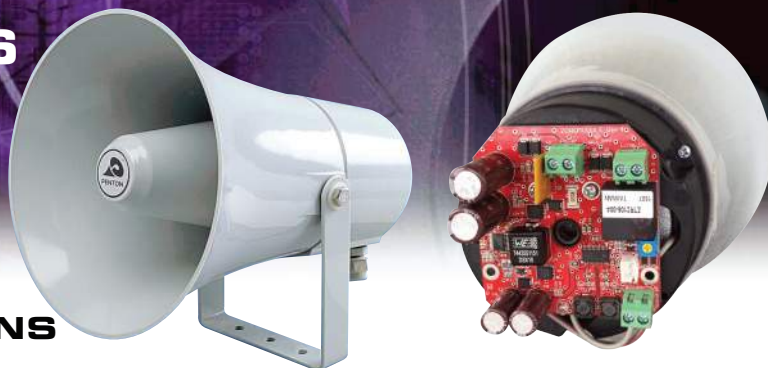
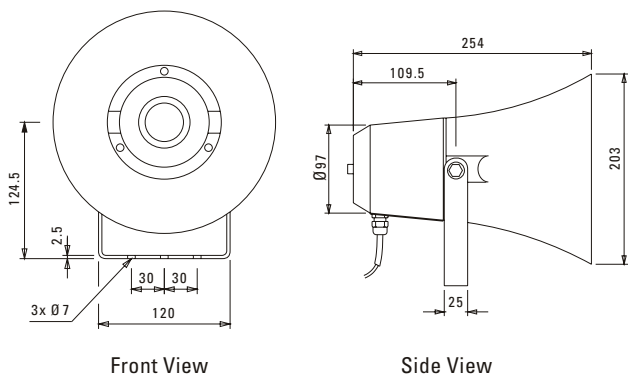


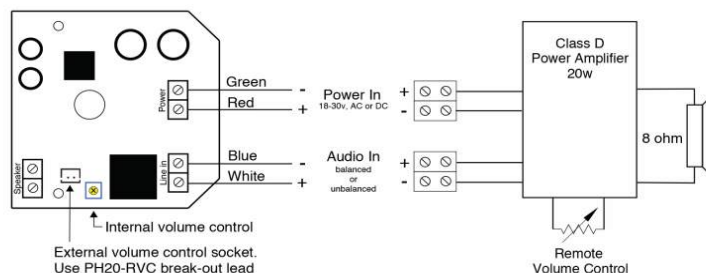
WEATHERPROOF ACTIVE HORN IP66 Loudspeakers ▶ PH20A-24



INSTALLATION INSTRUCTIONS



Circuit Diagram



PLEASE READ AND UNDERSTAND THE INSTALLATION INSTRUCTIONS BEFORE WORKING WITH THIS UNIT

- The PH20A-24 is fitted with a 1m cable tail so all speaker connections are made via the tail. Longer cable tails can be fitted depending on cable specification and installation conditions. Please see the following instructions for the connection details.
- The PH20A-24 can be powered via an 18-30V DC or AC power supply and should be connected as follows:
+V connects to the RED wire.
- V connects to the GREEN wire.
NOTE: Please ensure that + & - power cables are terminated correctly to prevent damage to the unit.
- The Odb line level audio input is connected as follows:
 - For a balanced line input.
+ AUDIO connects to the WHITE wire.
- AUDIO connects to the BLUE wire.
SCREEN is not connected.
 - For an unbalanced line input.
+ AUDIO connects to the WHITE wire.
SCREEN connects to the BLUE wire.
- Once the PH20A-24 has been terminated. The output volume will need to be adjusted. First remove the rear cover of the Horn by using a 5mm Allen key to undo the retaining screw.
- The output volume can be adjusted using either a small flat or cross headed screw driver inserted into the pre-set volume control fitted to the PCB as shown on the above diagram. Turn clock wise to increase the volume and anti-clock wise to reduce the volume.
- A remote volume control can be fitted using the PH20-RVC kit comprising a volume control and PCB interface cable. See circuit diagram and picture for connection details. With the PH20-RVC kit fitted the maximum volume is set by the pre-set volume control located on the PCB. The remote volume control will then be able to adjust the volume between 0 and the level set by the internal PCB mounted volume control.
- Once the required volume has been set. The rear cover can be re-fitted using the original screw fixing. Please Note that located around the inner chamber where the back cover locates is a rubber gasket; please make sure that this is seated correctly before re-fitting the rear cover to avoid water penetration which may result in damage to the unit.
Finally check that the cable glands are tight to ensure the cables are securely held in place and the unit remains watertight.
- The PH20A-24 is supplied with a "U" shaped bracket. This needs to be removed from the speaker before it can be mounted to the chosen surface. Remove the 2 bolts holding the bracket by using a 12mm spanner. Once the bracket has been removed place it into position and mark the fixing points. See diagram above. The bracket is fitted with 3 fixing holes. It is only necessary to use the 2 outer fixing holes. The center hole has been provided for situations that only allow one fixing point. Once the bracket has been fixed the speaker can be bolted back to the bracket. Adjust the position of the speaker before fully tightening. Please ensure that the bolts are not over tightened to avoid damage to the speaker.
- Please ensure that appropriate safety equipment and clothing is used during the installation process to ensure your safety at all times.



Penton UK Ltd

Unit 2 Teville Industrials | Dominion Way | Worthing | West Sussex | BN14 8NW
T: +44 (0)1903 215315 | F: +44(0)1903 215415 | E: sales@pentonuk.co.uk

www.pentonuk.co.uk