

NVR301-08LX-P8



Key Features

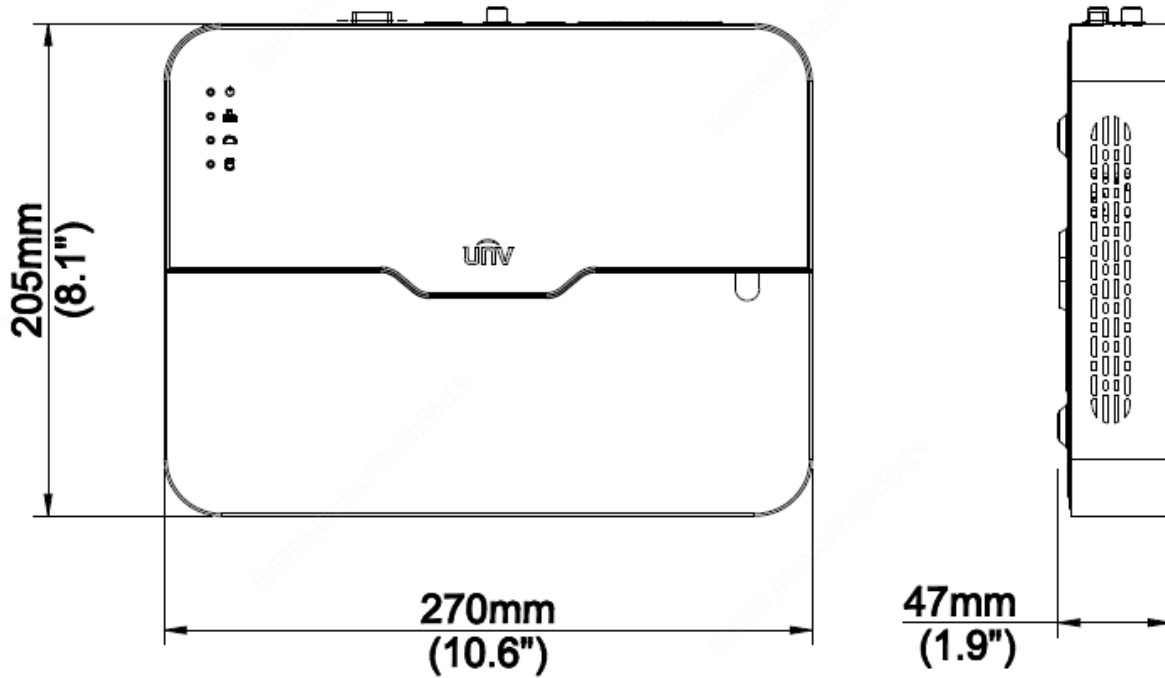
- Support Ultra 265/H.265/H.264 video formats
- 8-channel input
- Third-party IP cameras supported with ONVIF conformance: Profile S, Profile G, Profile T
- Support 1-ch HDMI ,1-ch VGA,HDMI at up to 4K(3840x2160) resolution
- HDMI and VGA simultaneous output
- Up to 8MP resolution recording
- 1 SATA HDD up to 6 TB
- Support cloud upgrade

Specifications

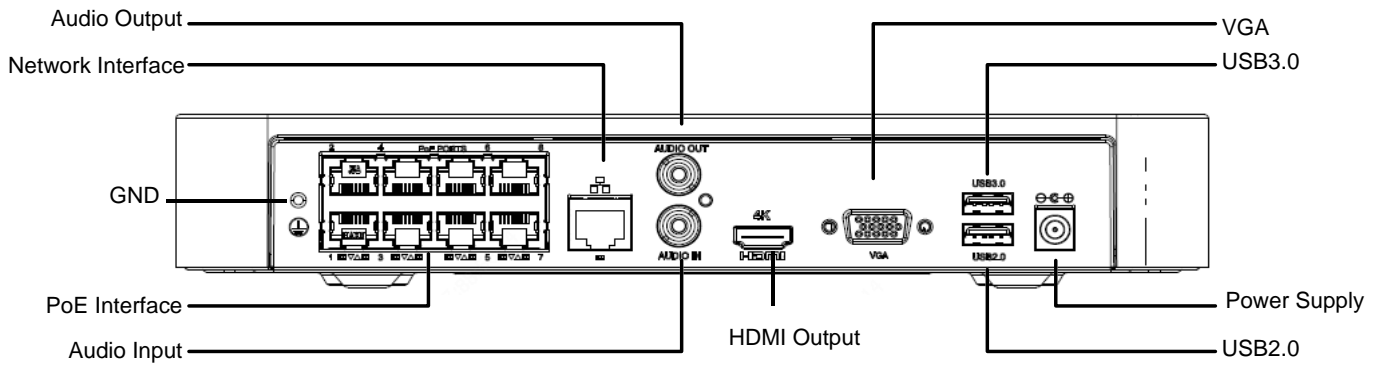
Model	NVR301-08LX-P8
Video/Audio Input	
IP Video Input	8-ch
Two-way Audio Input	1-ch, RCA
Network	
Incoming Bandwidth	80Mbps
Outgoing Bandwidth	64Mbps
Remote Users	128
Protocols	P2P, UPnP, NTP, DHCP, PPPoE
Video/Audio Output	
HDMI/VGA Output	HDMI: 3840x2160/30Hz ,1920x1080p/60Hz, 1920x1080p/50Hz, 1600x1200/60Hz, 1280x1024/60Hz, 1280x720/60Hz, 1024x768/60Hz

	VGA: 1920x1080p/60Hz, 1920x1080p/50Hz, 1600x1200/60Hz, 1280x1024/60Hz, 1280x720/60Hz, 1024x768/60Hz
Recording Resolution	4K/5MP/4MP/3MP/1080p/960p/720p/D1/2CIF/CIF
Audio Output	1-ch, RCA
Synchronous Playback	8-ch
Corridor Mode Screen	3/4/5/7/9
Decoding	
Decoding format	Ultra 265/H.265/H.264
Liveview/Playback	4K/5MP/4MP/3MP/1080p/960p/720p/D1/2CIF/CIF
Capability	2 x 4k@30, 3 x 5MP@30, 4 x 4MP@30, 5 x 3MP@30, 8 x 1080p@30
Hard Disk	
SATA	1 SATA interface
Capacity	up to 6TB for each disk
Smart	
VCA Detection	Face detection, Intrusion detection, Cross line detection, Audio detection, Defocus detection, Scene change detection, Auto tracking
VCA Search	Face search, Behavior search
Statistical Analysis	People counting
External Interface	
Network Interface	1 RJ45 10M/100M self-adaptive Ethernet Interface
USB Interface	Rear panel: 1 x USB2.0, 1 x USB3.0
PoE	
Interface	8 independent 100 Mbps PoE network interfaces
Max Power	Max 30W for single port Max 108W in total (13.5W for each)
Supported Standard	IEEE 802.3at, IEEE 802.3af
General	
Power Supply	52V DC Power Consumption: ≤9 W (without HDD)
Working Environment	-10°C ~ +55°C (+14°F ~ +131°F), Humidity ≤ 90% RH (non-condensing)
Dimensions (W×D×H)	270mm × 205mm × 47mm (10.6"×8.1"×1.9")
Weight (without HDD)	≤0.8kg (1.76lb)

Dimensions



Rear Panel



Zhejiang Uniview Technologies Co., Ltd.

Building No.10, Wanlun Science Park, Jiangling Road 88, Binjiang District, Hangzhou, Zhejiang, China

Email: overseasbusiness@uniview.com; globalsupport@uniview.com

<http://www.uniview.com>

©2019 Zhejiang Uniview Technologies Co., Ltd. All rights reserved.

* Product specifications and availability are subject to change without notice.