



CM32 Series

# Fixed-Angle IR Illuminator

Installation Guide

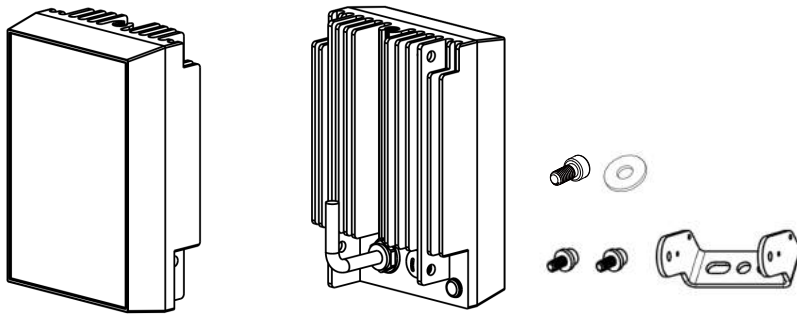


# CM32 Illuminator

## Installation Guide

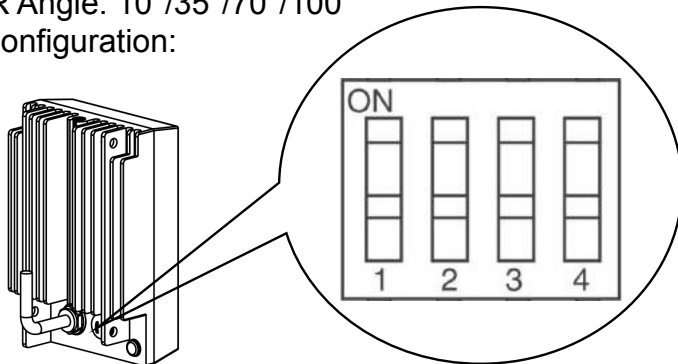
### Package Contents

- 1x IR Illuminator Unit
- 2x M6 screw
- 1x U-bracket
- 1x M6 X10 screw & 1x Washer



### Specification

- Power Input: 24VAC or 24VDC. Max. power consumption is 32W.
- IR Angle: 10°/35°/70°/100°
- Configuration:



Switch Description	Number	Switch Setting	Specification
Light sensor Threshold	1	[1:2] OFF/OFF	3/30 lux
	2	[1:2] OFF/ON	50/200 lux
		[1:2] ON/OFF	300/600 lux
		[1:2] ON/ON	600/1000 lux
LED ON/OFF mode	3	OFF	Auto (Light Sensor Control)
		ON	Manual (DI Control)
DI Polarity	4	OFF	DI Active Low
		ON	DI Active High

# CM32 Illuminator

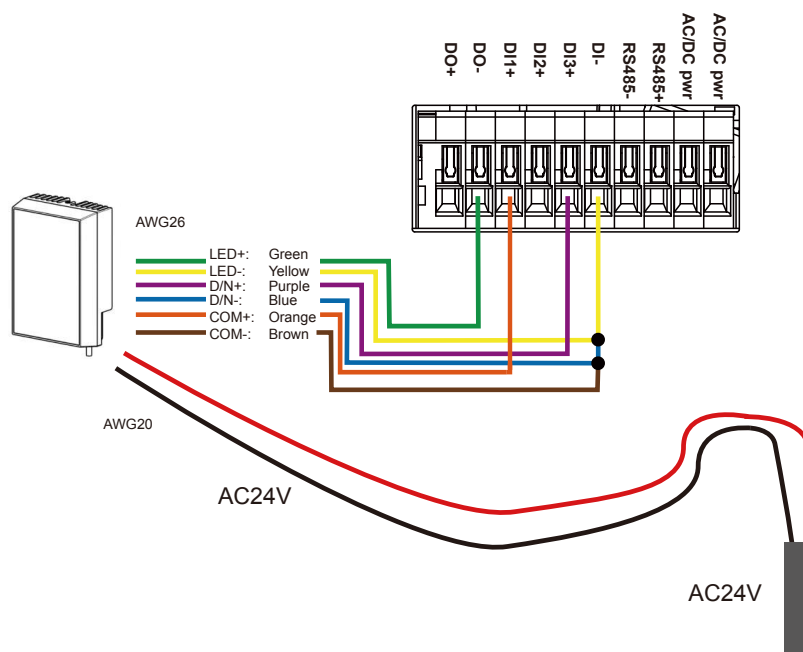
## Installation Guide

### Specification

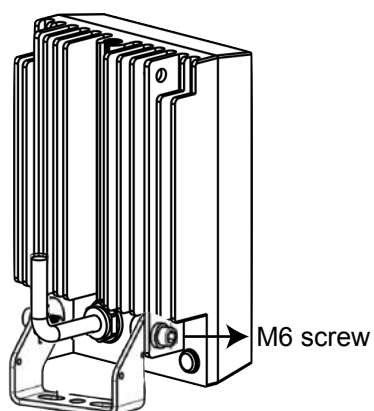
- Wires Information

Name	Color	Gauge	Remarks
D/N+	Purple	26AWG	Day/Night Detection Output
D/N-	Blue	26AWG	
COM+	Orange	26AWG	Error Status Output
COM-	Brown	26AWG	
LED+	Green	26AWG	LED ON/OFF Control Input
LED-	Yellow	26AWG	
Power+	Red	20AWG	Power Input: 24VAC or 24VDC
Power-	Black	20AWG	

### Box camera terminal block



### Installation Guide with U-bracket



### Installation Guide with housing

