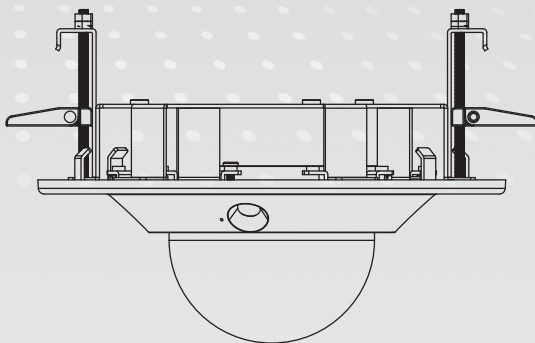


VIVOTEK Fixed Dome Series AM-105 Recessed-mount Bracket

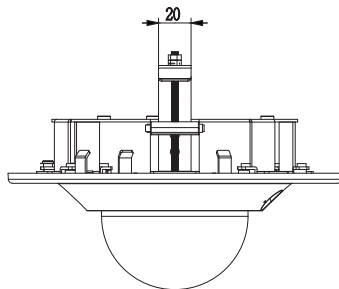
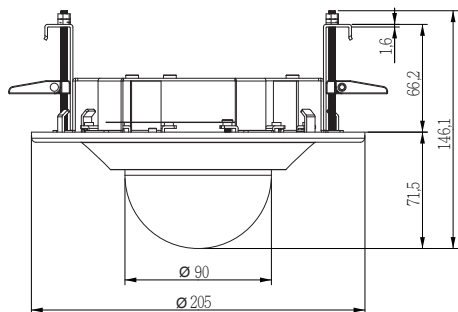
Installation Guide

Corresponding part number: 900026802G



Rev. 1.2

AM-105 Recessed-mount Bracket Mechanical Drawing



Package Contents

- Recessed-mount bracket
- Screws: 3x round head M4x8L; 3x round head M3x8L .
- Alignment sticker
- Screwdriver: T10 stardriver

Revision History

- Rev. 1.0: Initial release.
- Rev. 1.1: Updated for new models—FD816BA-HF2, FD816BA-HT, FD8182-F2, FD8182-T, FD9171-HT, FD9181-HT, FD9165-HT, FD9167-H, FD9167-HT, FD8177-HT
- Rev. 1.2: Added FD9187-H, -HT

I Compatible VIVOTEK Cameras

Fixed Dome series

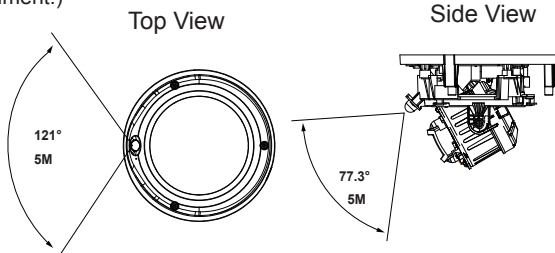
FD816BA-HF2, FD816BA-HT, FD8182-F2, FD8182-T, FD9171-HT, FD9181-HT, FD9165-HT, FD9167-H, FD9167-HT, FD8177-HT, FD9187-H/-HT

You may also refer to VIVOTEK's website for the list of supported models. Support for other models can be available through time.



IMPORTANT:

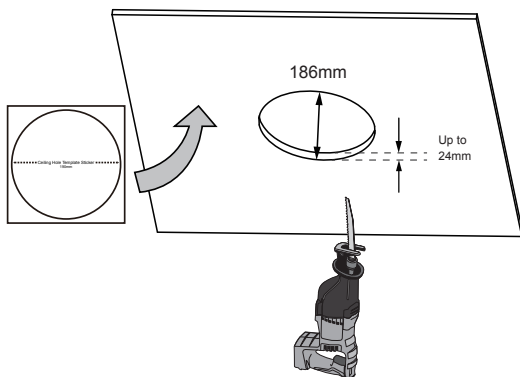
Before installing your camera, make sure the built-in PIR (Passive Infrared Sensor) can be directed toward the area of interest, where possible intrusion may occur. (The sensitivity of PIR sensor depends on the object size and temperature differences between the object and the background environment.)



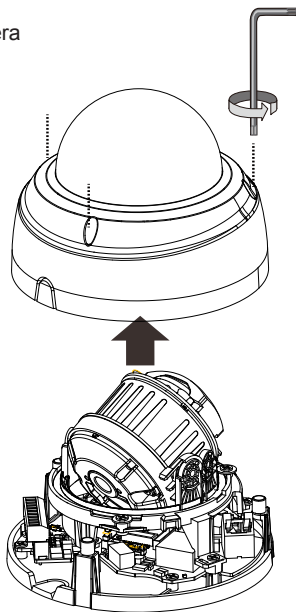
II Installation

Mounting Hole Definitions

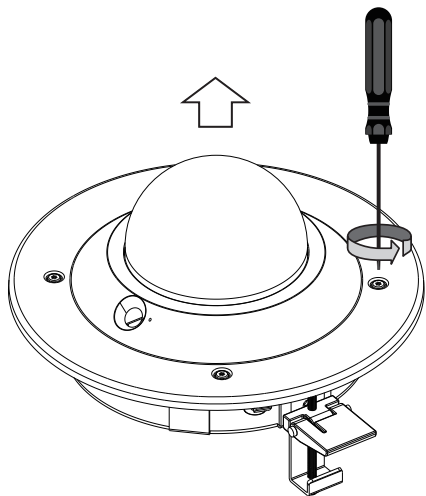
1. Determine a secure location for the recessed-mount bracket.
2. Drill or cut a 186mm hole (in diameter). The maximum thickness of the ceiling/board is 24mm. The ceiling board should be able to sustain at least a weight of 1.4kg.



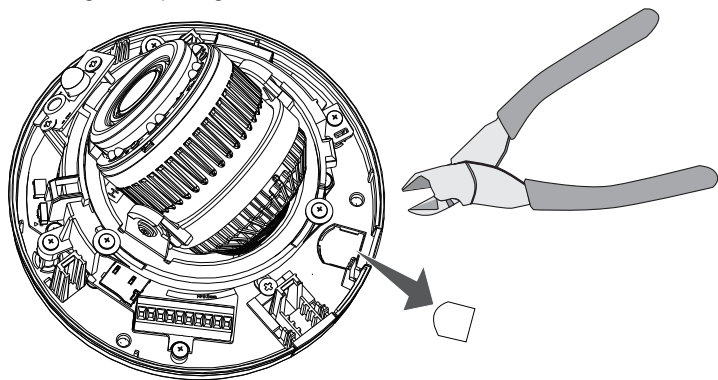
3. Remove dome cover from the camera using the star driver included in kit.



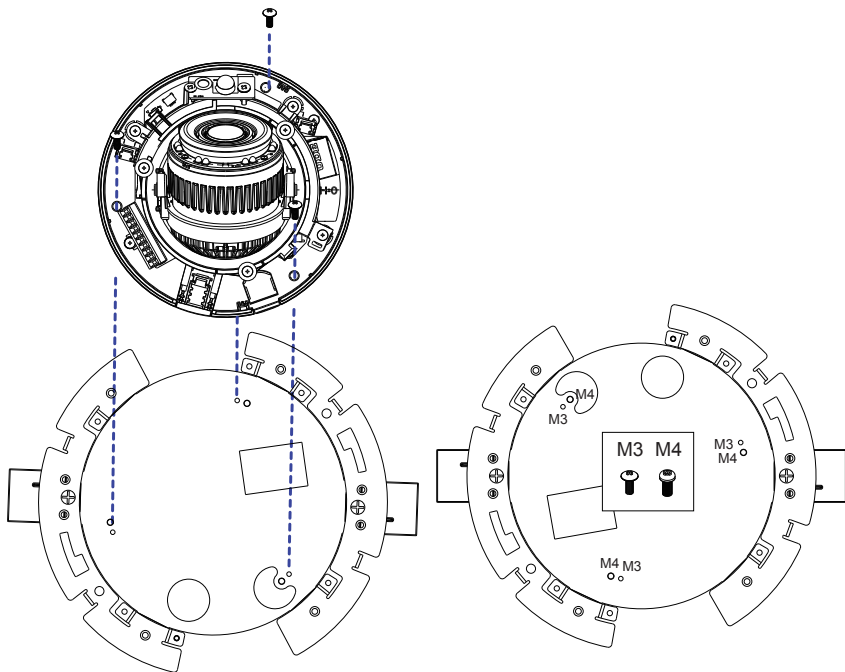
4. Use the included T10 stardriver to detach the dome cover from the recessed mount bracket.



5. Remove the breakaway tab from the bottom of the camera so that you can route cables through the opening.



6. Install camera to the recessed-mount bracket by driving 3 screws.



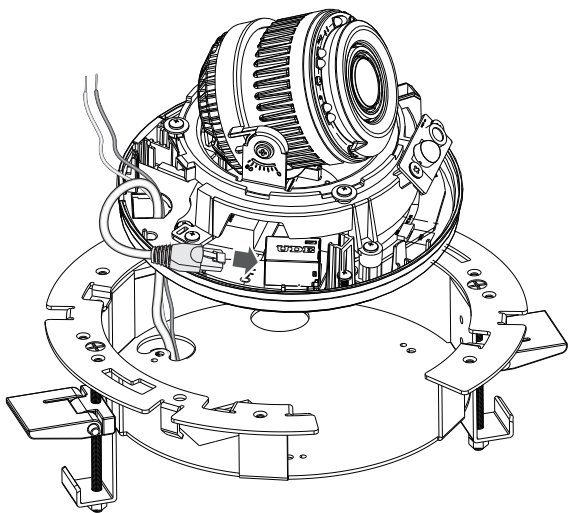
Mount hole	Applicable models	Screws
M4	FD9165-HT, FD9167-H/HT, FD8177-HT, FD9187-H/HT	3x round head M4X8L
M3	FD8182F2/T, FD9171-HT, FD9181-HT, FD816BA-HT/HF2	3x round head M3X8L



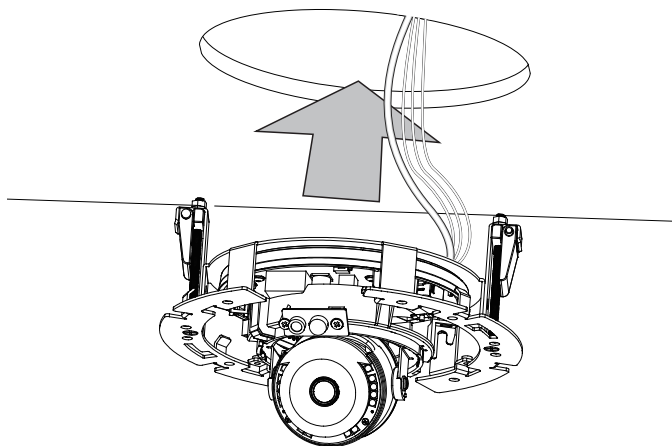
NOTE:

1. Connect and route cables before you secure the recessed-mount bracket to a ceiling.
2. For details on the cabling connections with each camera, please refer to their Quick Installation Guide.

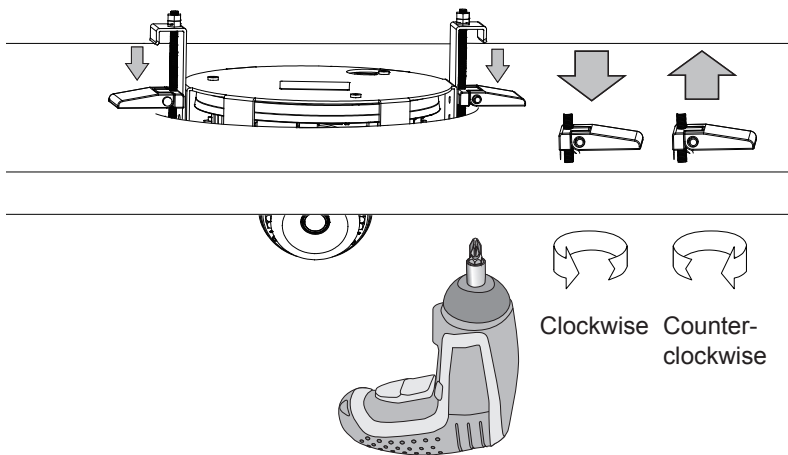
7. Pass cables through the routing hole and connect cables to the camera.



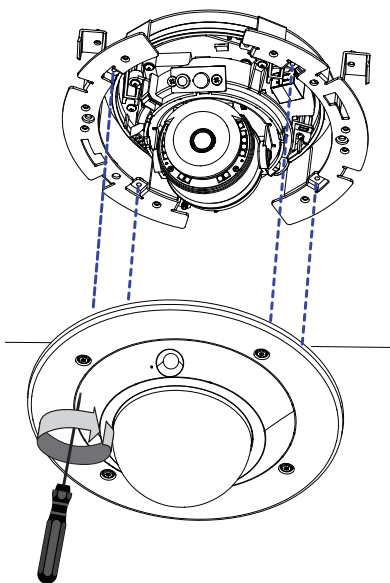
8. Use a #2 Phillips screwdriver to loosen the clamping plates (see drawing below) and insert the recessed-mount bracket through the hole in the ceiling.



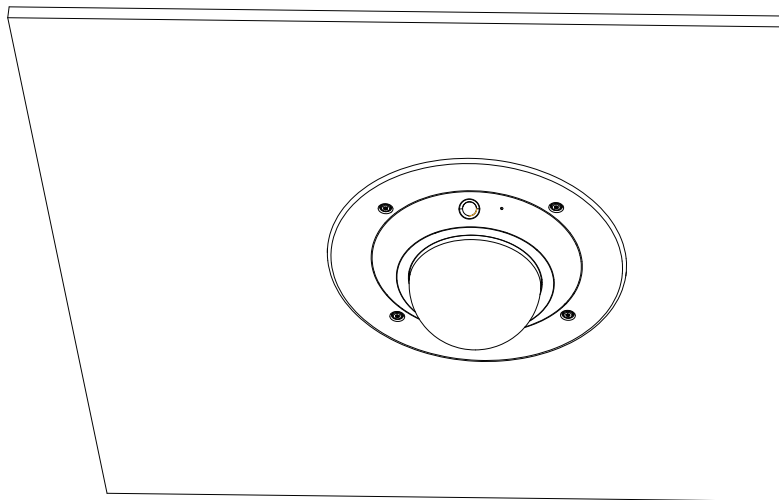
9. Use a #2 Phillips screwdriver to move the clamping plates down so that the ceiling/board is caught between the clamps and the flange on the other side of the ceiling.



10. Adjust the shooting angle and check for a satisfactory image over a web session. When you have a satisfactory live view, tighten the tilt screw, and secure the dome cover from below the ceiling using the T10 stardriver.



11. You are done with the installation.



IMPORTANT:

The ceiling mount configuration does not support the Corridor view. If using the Corridor view, some part of the view area may not be properly revealed.