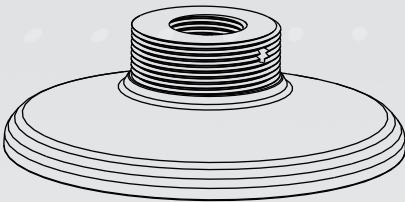


VIVOTEK Fixed Dome Series Mounting kit

Using

AM-528 Mounting Adapter,
AM-118 Pendant Head (indoor),
AM-116 and AM-117 Pendant Pipes,
AM-522 NPT adaptor
AM-221 Gooseneck,
AM-212 Wall Mount,
AM-311 Pole Mount,
AM-411 Corner Mount

Installation Guide



Corresponding part number:

- AM-528: 100147800G
- AM-116: 900014301G
- AM-117: 900014401G
- AM-118: 900014600G
- AM-221: 900014800G
- AM-212: 900004202G
900004203G (v03)
- AM-311: 900002902G (v03)
900002903G (v04)
900002904G (v05)
- AM-411: 900003003G (v04)
900003004G (v05)
- AM-522: 900020201G (V02)

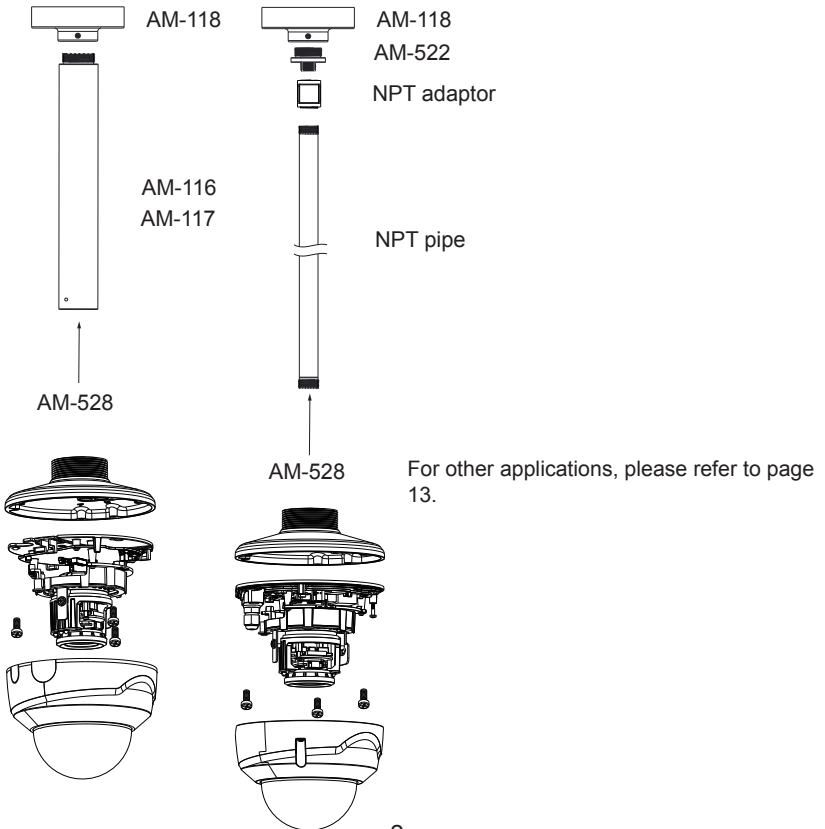
Revision History:

Rev. 1.0: Initial release.

AM-528 Mounting Adapter Package Contents



Applications



1 Compatible VIVOTEK Cameras

Direct installation:
AM-118+AM-117/116
+AM-528

FD8369A, FD8367A, FD8169A, FD8167A, FD8379-HV, FD8377-
HV, FD8179-H, FD8177-H

**WARNING:**

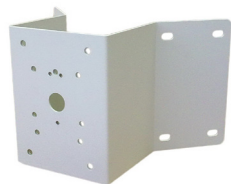
1. Select a suitable location where the camera is free from accidental damage, tampering, or harsh environmental conditions.
 2. Locate a place for the installation where the camera can not be intentionally or unintentionally interfered.
 3. Select a solid and flat mounting surface that can support the combined weight of the camera and associated hardware. Vibration and temperature range should also be taken into consideration.
-

2 Compatible Accessories

Compatible Accessories (1): AM-311 Pole Mount Bracket



Compatible Accessories (2): AM-411 Corner Mount Bracket



Compatible Accessories (4-1): AM-221 Gooseneck Bracket



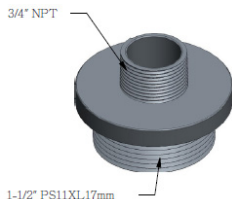
Compatible Accessories (4-2): AM-212 Wall-mount Bracket



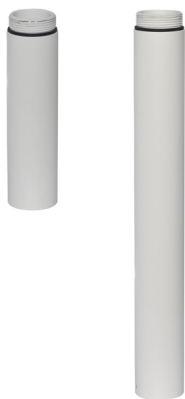
Compatible Accessories (5-1): AM-118 Pendant Head



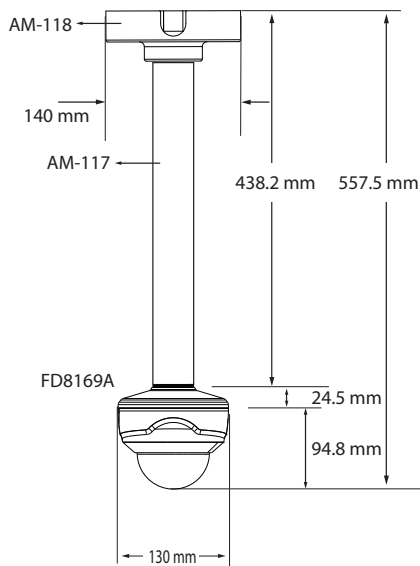
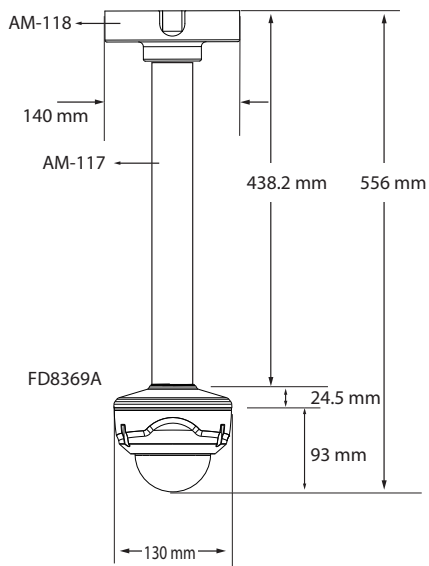
Compatible Accessories: AM-522 Pendant NPT Adaptor



Compatible Accessories (5-2): AM-116 and AM-117 Pendant Pipe

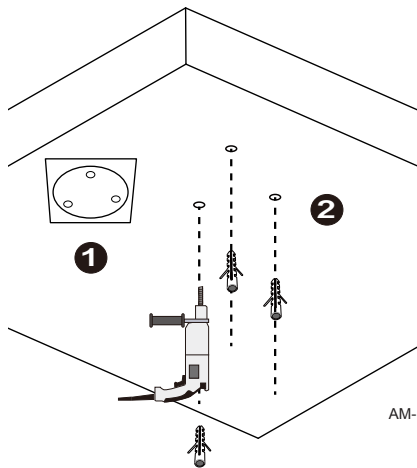


Shown below are the mounting dimensions using a 40cm pendant pipe (AM-117).



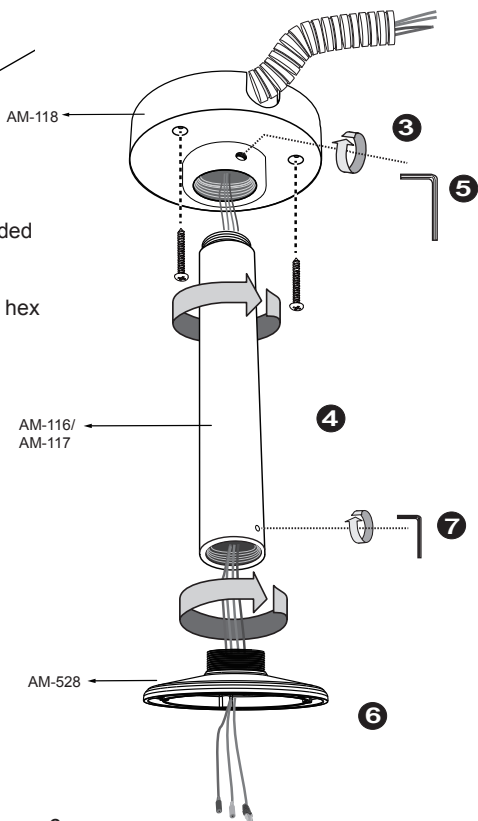
3 Direct Installation

3-1. Using the Pendant Pipe

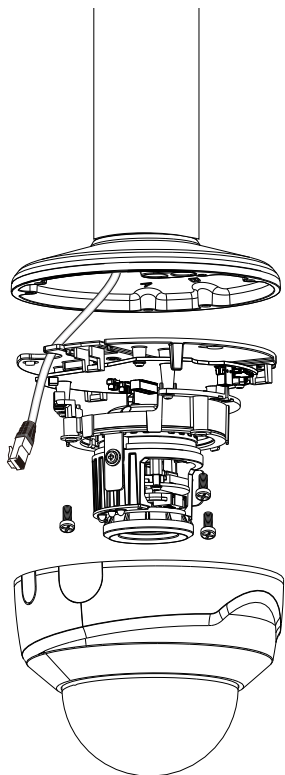


1. Determine a hard surface ceiling location, and use the included alignment sticker for marking three mounting holes as where holes will be drilled to secure the pendant head.
2. Hammer in the plastic anchors.

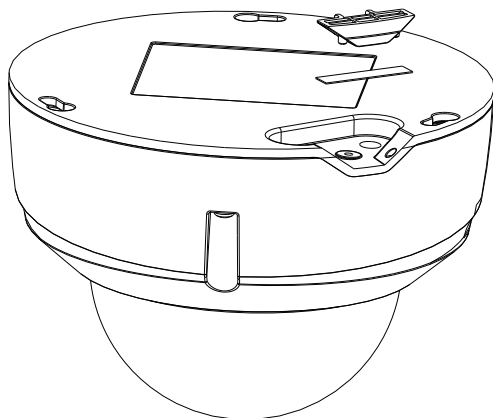
3. Secure pendant head using the included screws.
4. Install the pendant pipe.
5. Tighten the retention screw using the hex wrench.
6. Install the AM-528.
7. Tighten the retention screw using the included hex wrench.



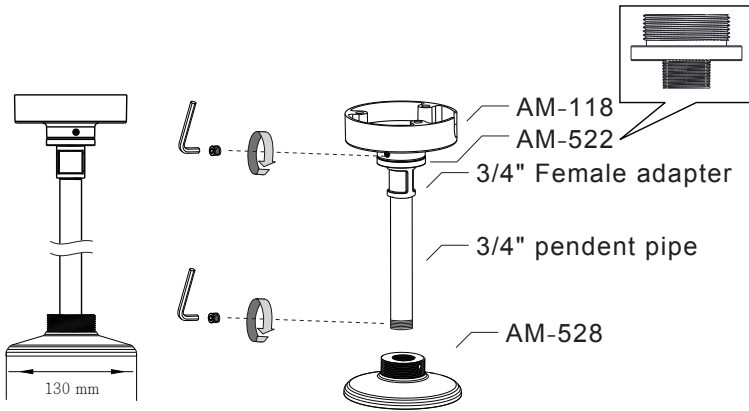
8. Pull the cables through the pendant pipe, and the camera base. Install the camera. Use a crimping tool to connect the Ethernet wires to an RJ45 connector.



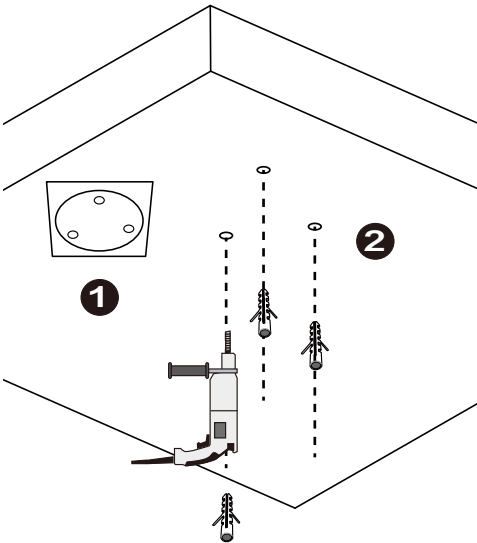
Some outdoor cameras come with a side-routing cutout. Use the included tape and side plug to seal the cutout.



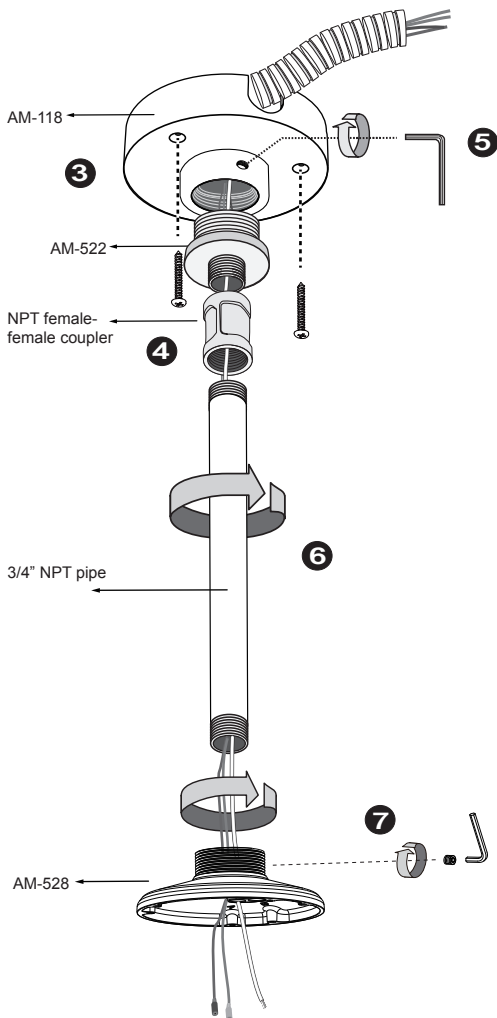
3-2. Using the 3/4" NPT Pipe



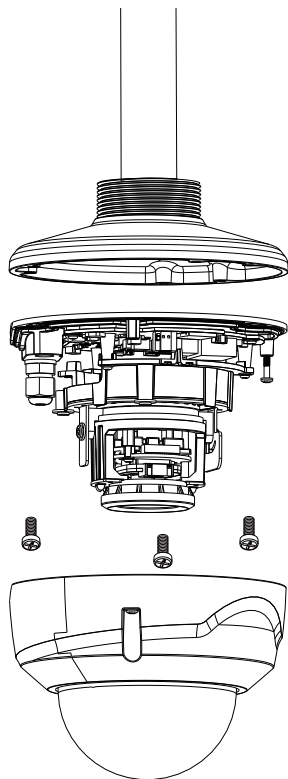
1. Determine a hard surface ceiling location, and use the included alignment sticker for marking three mounting holes as where holes will be drilled to secure the pendant head.
2. Hammer in the plastic anchors.



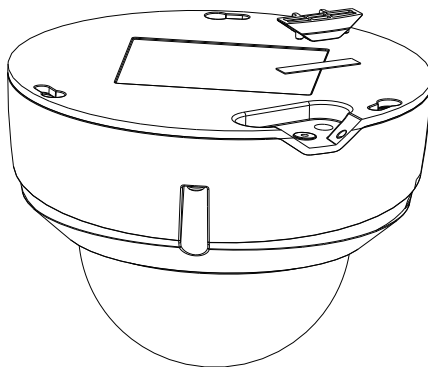
3. Secure the pendant head using the included screws.
4. Install the AM-522 adaptor and the NPT female-female coupler (user-supplied)
5. Tighten the retention screw using the hex wrench.
6. Install the 3/4" NPT pipe of a preferred length.
7. Install the AM-528.



8. Pull the cables through the NPT pipe and the camera base. Install the camera. Use a crimping tool to connect the Ethernet wires to an RJ45 connector.



Some cameras come with a side-routing cutout. Use the included tape and side plug to seal the cutout.



4 Using Other Accessories

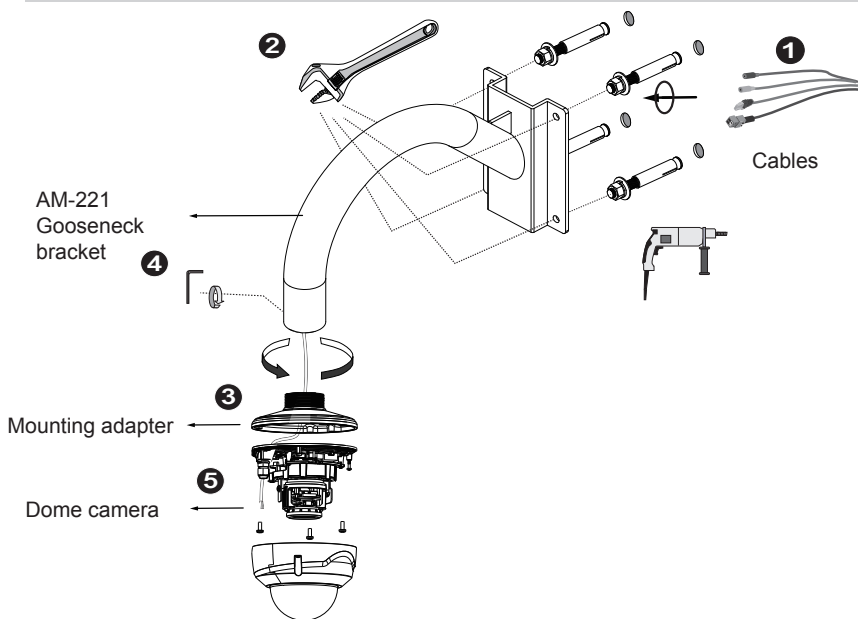
4-1. Gooseneck Installation - AM-221

Below is a general, sample procedure using a gooseneck bracket:

1. Route power lines and other cables through the wall and the bracket.
2. Locate the position where you want to install the gooseneck bracket and camera. Drill holes on the wall for securing the bracket and for routing the cables.
Secure the bracket by hammering anchors into the wall and then fasten screws through it. Drill 10mm holes in diameter and 60mm deep.
3. Attach the mounting adapter to the bracket by rotating it clockwise until it is tightly fastened.

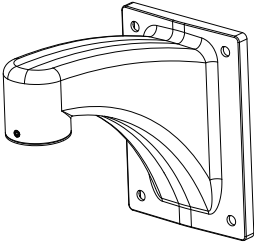
WARNING:

When you hammer the threaded anchors into wall, keep the nuts and washers on them in case the top of threaded poles can be deformed during the process.



4. Use a hex wrench to secure the mounting adaptor to the gooseneck bracket.
6. When cabling is done, proceed with initial setup such as enabling network access, focus tuning, or zooming. When done, secure the outer dome cover.

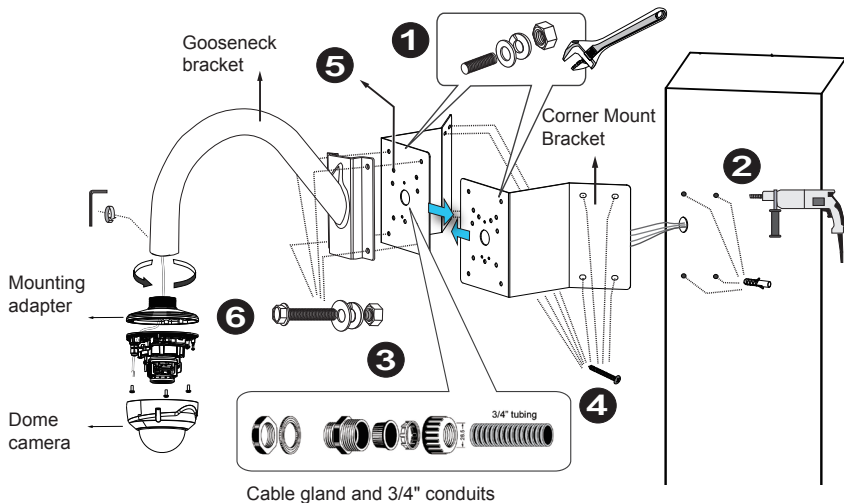
The same installation method applies to the AM-212 wall-mount bracket.



4-2. Corner Mount Installation

Below is a general, sample procedure using a Corner mount bracket:

1. Combine the two brackets together using the included nuts and washers.
2. Align the assembled brackets with the desired position. Align screw holes on the brackets against the wall. Drill holes on the wall for securing the bracket and for routing the cables. Hammer anchors into the wall. Wall anchors are user-supplied.
3. Route power lines and other cables through the included cable gland, conduits (separately purchased), and install the cable gland to the brackets' through hole in the center.

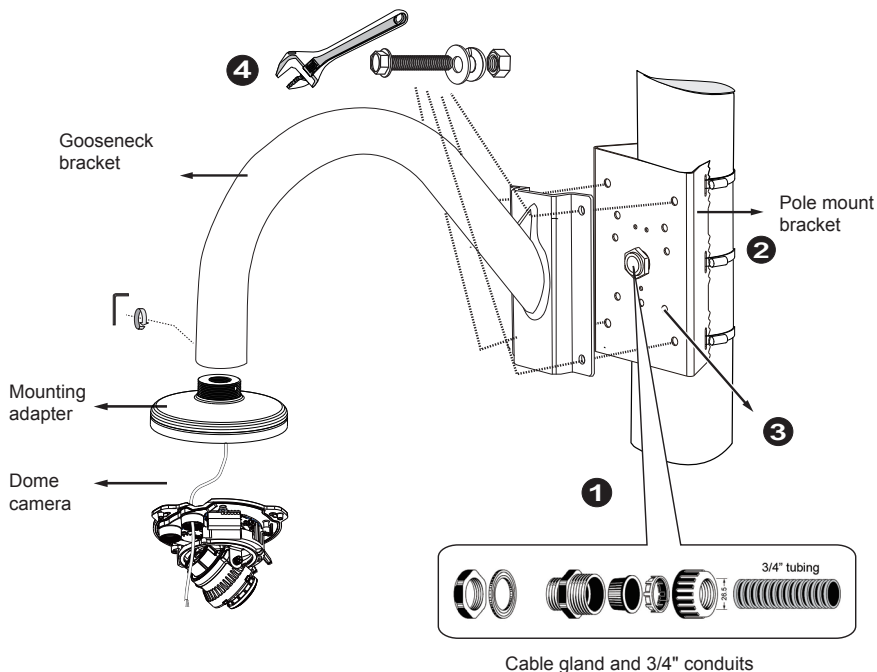


4. Secure corner mount brackets to the wall. Screws are user-supplied.
5. Fill the unused holes on the bracket with the included silicone stoppers.
6. Use the included hex bolts, washers, and nuts to secure the gooseneck to the corner mount bracket.
7. The rest of the mounting procedure is identical to those described in the **Gooseneck installation on page 11**.

4-3. Pole Mount Installation

Below is a general, sample procedure using a Pole mount bracket:

1. Route power lines and other cables through the included cable gland, pass them through conduits (separately purchased), and install the cable gland to the pole mount bracket.
2. Locate the position where you want to install the pole mount bracket and camera. Unwrap the stainless belts, feed them through the openings on the sides of the bracket, and then strap them around the pole. Use a pincer and flat-blade screwdriver to fasten the bracket to the pole.
3. Fill the unused screw holes using the included silicone stoppers.



4. Secure the gooseneck bracket using the included hex bolts, washers, and nuts.

The rest of the mounting procedure is identical to those described in the **Gooseneck installation on page 11**.

This page is intentionally left blank.

This page is intentionally left blank.